



VIBRATORY PLATE COMPACTOR

Part# VP3800 | EDI# 28693

Part# VP3800W | EDI# 29542



104 S. 8th Ave. | Marshalltown, IA
Phone 800-888-0127 / 641-753-0127 | Fax 800-477-6341 / 641-753-6341
www.MARSHALLTOWN.com
WS2732revB

TABLE OF CONTENTS

Introduction.....	2
Safety Precautions.....	3
Safety Decals	4
Warranty.....	4
Specifications	5
Technical Data - Engine	6
Suggested Retail Parts.....	6
Common Components.....	7
Pre-Operation Checks.....	8
Controls and Accessories.....	9
Operation	10
Maintenance.....	10-11
Parts Breakdown	12-25
Water Tank Option.....	26-29
Troubleshooting.....	30

INTRODUCTION

Congratulations on your purchase of a MARSHALLTOWN vibratory plate compactor. MARSHALLTOWN prides itself in producing the highest quality construction tools and equipment for the professional and has applied the same research, design, and production principles to these plate compactors.

These powerful machines are designed for compacting granular fill materials and asphalt. The VP3800 is a leader in its class in both centrifugal force and operation speed. With 3,800 pounds of centrifugal force you can expect a well-compacted base while traveling at over 100 feet per minute.

The VP3800W can be used in all applications but it's water tank feature is necessary for keeping material from sticking to the bottom of the plate during asphalt paving and patching. Its water tank can be filled on the machine or easily removed and replaced to fill at a water source.

Your MARSHALLTOWN plate compactor has a first of its kind foldable handle that locks into place during transport and while moving around the job site. A lifting loop built into the frame allows for lifting strap or forklift access for job site placement

This machine was built with user safety in mind, however, it can present hazards if improperly operated and serviced. Carefully read and follow all safety and operating instructions in this manual. Ensure every operator reads this manual before operating the unit. The replacement of any part with anything other than the manufacturer's authorized replacement part may adversely affect the performance, durability, and safety of the product. Be sure safety precautions are observed. Read and follow all safety and operating instructions in this operator's manual. The manufacturer reserves the right to make changes on or add improvements to its product at any time without prior notice or obligation. The manufacturer reserves the right to decide, upon its sole discretion and at any time, to discontinue this product. Information regarding operation and maintenance of the engine can be found in a separate engine manual supplied with this plate compactor. The engine manual provides all the information required regarding engine adjustments, operation and maintenance. Should any questions arise concerning engine operation or service, contact the nearest engine repair facility or the engine manufacturer. This manual covers all MARSHALLTOWN plate compactors and options. For technical questions or repair parts, please call MARSHALLTOWN customer service at 1-800-888-0127, 641-753-6341 or visit www.MARSHALLTOWN.com.

SAFETY PRECAUTIONS



WARNING safety signs are located near specific hazards.

CAUTION!



General precautions are listed on CAUTION safety signs.



This notation appears before warnings in the text. It means that the step that follows must be carried out to avoid the possibility of personal injury or death. These warnings are intended to help the technician avoid any potential hazards encountered in the normal service procedures. We strongly recommend that the reader takes advantage of the information provided to prevent personal injury or injury to others.

THE FOLLOWING PRECAUTIONS ARE SUGGESTED TO HELP PREVENT ACCIDENTS. A CAREFUL OPERATOR IS THE BEST OPERATOR. MOST ACCIDENTS CAN BE AVOIDED BY OBSERVING CERTAIN PRECAUTIONS. READ AND TAKE THE FOLLOWING PRECAUTIONS BEFORE OPERATING THIS EQUIPMENT TO HELP PREVENT ACCIDENTS. EQUIPMENT SHOULD BE OPERATED ONLY BY THOSE WHO ARE RESPONSIBLE AND INSTRUCTED TO DO SO.

CALIFORNIA PROPOSITION 65 WARNING: Operation of this equipment and/or engine exhaust from this product contains chemicals known to the State of California to cause cancer, birth defects, or other reproductive harm.

- Read all operating and maintenance instructions before operating or servicing the machine.
- Equipment is only as safe as its operator. Give complete and undivided attention to the operation of the equipment.
- Keep inexperienced and unauthorized people away from equipment at all times.
- Know how to stop the equipment instantly.
- Test all safety switches before every use.
- Always have all guards and safety devices attached and in place before operating equipment.



NEVER operate the plate compactor with the belt guard cover off.



NEVER let go of the plate compactor or walk away from it while it is running.

- Always make sure engine RPM's are low and clutch is not engaged when idling engine during warm up.
- Always make sure engine is stopped with the switch in the "OFF" position before making any adjustments or putting hands or tools near the plate compactor.
- Always make sure engine is in "OFF" position when servicing or not in use.
- Keep the plate compactor in good condition. Loose or damaged parts are dangerous.
- Avoid loose clothing that could get caught in moving parts.



Keep hands and feet away from moving parts.

- Always allow ample time for the plate compactor to cool before making any adjustments.
- Do not smoke while refueling the engine. Ensure the engine is in the "off" position and allow it to cool before refueling.
- Do not spill fuel.
- NEVER operate the plate compactor in confined areas without ample ventilation.
- Keep all warning, caution and safety instruction labels in good condition. Replace missing, damaged or illegible labels.
- DO NOT OPERATE this plate compactor under the influence of alcohol or while taking medication that impairs your reactions.
- Never sit or ride on the plate compactor.
- Always properly secure machine before transporting.
- Always follow recommended maintenance schedules.
- Use factory authorized parts for replacement.
- Never try to lift unit by yourself.
- Wear safety glasses and hearing protection while operating the plate compactor.
- Wear proper protective clothing while operating plate compactor, including eye, ear, and clothing.
- Clear the work area around the machine to prevent tripping or falling onto the plate compactor.
- Do not operate the plate compactor on extreme inclines.

SAFETY DECALS

If your safety decals are damaged, they can be replaced by contacting Customer Service.



WS2844



WS2845



WS2842



WS2843



WS2853



WS2898

3 YEAR PLATE COMPACTOR WARRANTY

This product is warranted to the original purchaser only to be free of defects in material and workmanship, under normal use and servicing, for a period of 3 years from the purchase date, excluding the engine. Warranty on the engine is limited to the warranty extended by the engine manufacturer and any warranty claims related to the engine should be directed to the engine manufacturer. MARSHALLTOWN Company's sole obligation under this warranty is limited to the replacement or repair of the product or covered part(s) at no charge delivered to you F.O.B standard ground rates from its designated facility if the product is determined upon inspection by MARSHALLTOWN Company to have been defective in materials or workmanship. MARSHALLTOWN Company's warranty for replacement parts will extend for the duration of the original product warranty.

This warranty will not apply when the product becomes damaged or inoperative due to misuse, abuse, normal wear and tear, neglect, improper maintenance, accident, or freight damage; if the product has not been operated and maintained in accordance with the instructions furnished in the Operator's Manual; or when the product has been altered or modified without approval from MARSHALLTOWN Company.

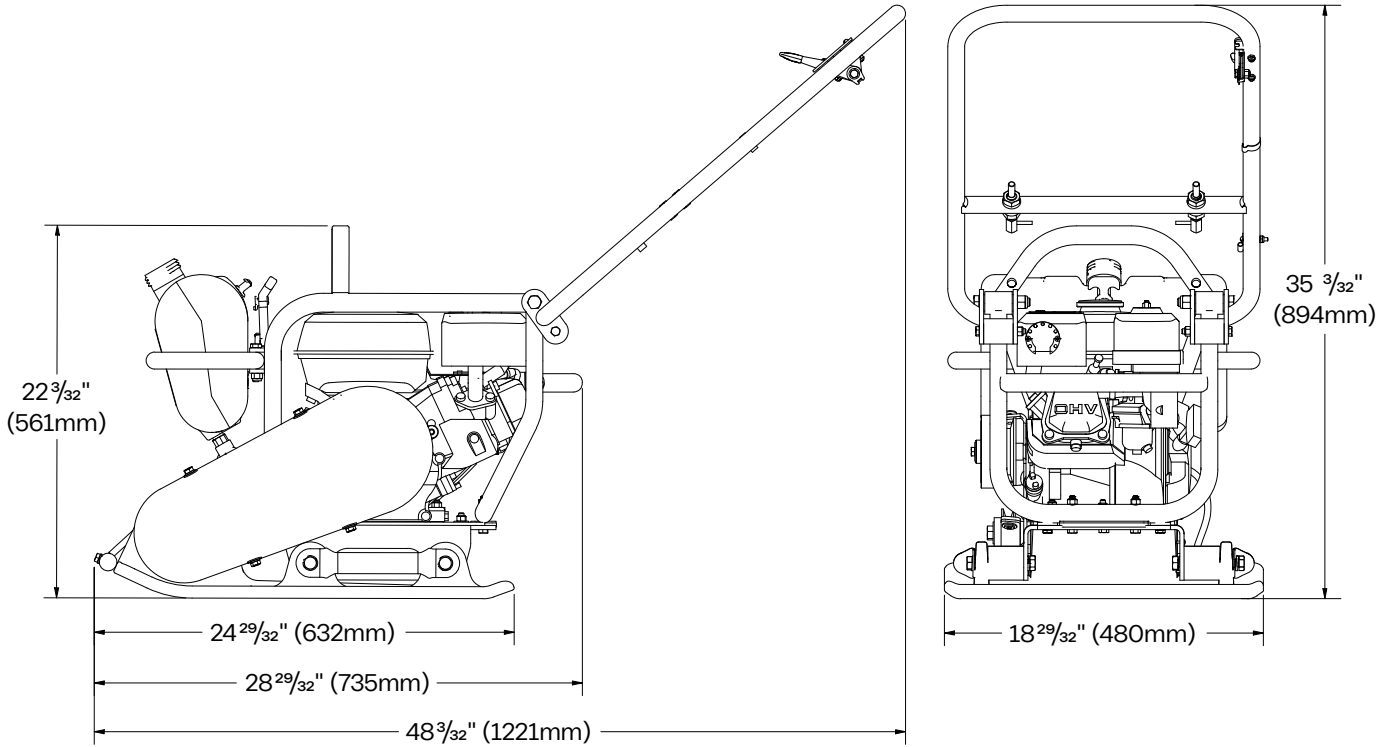
Under no circumstances shall MARSHALLTOWN Company be responsible or liable for any consequential, special, or punitive damages, pickup and delivery of the unit, inbound shipping charges to MARSHALLTOWN Company's service facility, rental charges for a replacement unit, loss of income, or other loss resulting from the failure of the product to function properly because of a defect in material or workmanship covered under this warranty.

There are no warranties which extend beyond the description of this warranty. No employee or agent of MARSHALLTOWN Company has the authority to modify this warranty.

If you wish to make a warranty claim, contact Customer Service at 1-800-888-0127 for return authorization and instructions.

THE FOREGOING LIMITED WARRANTIES ARE EXCLUSIVE AND ARE GIVEN AND ACCEPTED IN LIEU OF ANY AND ALL OTHER WARRANTIES EXPRESS OR IMPLIED, INCLUDING WITHOUT LIMITATION, IMPLIED WARRANTIES OF MERCHANTABILITY AND FITNESS FOR A PARTICULAR PURPOSE, AND ALL OTHER REMEDIES. MARSHALLTOWN COMPANY'S TOTAL LIABILITY ARISING OUT OF SUPPLYING AND THE USE OF THE EQUIPMENT, WHETHER BASED ON A CLAIM OF WARRANTY, NEGLIGENCE, OR OTHERWISE, SHALL NOT EXCEED THE COST PAID BY YOU FOR THE EQUIPMENT.

SPECIFICATIONS



CENTRIFUGAL FORCE	3802 LB (1725 KG)
VIBRATION FREQUENCY	5000 VPM (83 HZ)
TRAVELING SPEED	110 FT/MIN (34 M/MIN)
PLATE SIZE (L X W)	23.7" X 18.9" (602 X 480MM)
MAX. AREA OF COMPACTION	9,733 SQ FT/HR (904 SQ M/HR)
OPERATING WEIGHT	202 LB (92 KG)
WATER TANK CAPACITY	2 GAL (7.6 L)
LUBRICATING OIL IN EXCITER CASE	14.5 OZ (429CC) OF FULL SYNTHETIC 10W-30

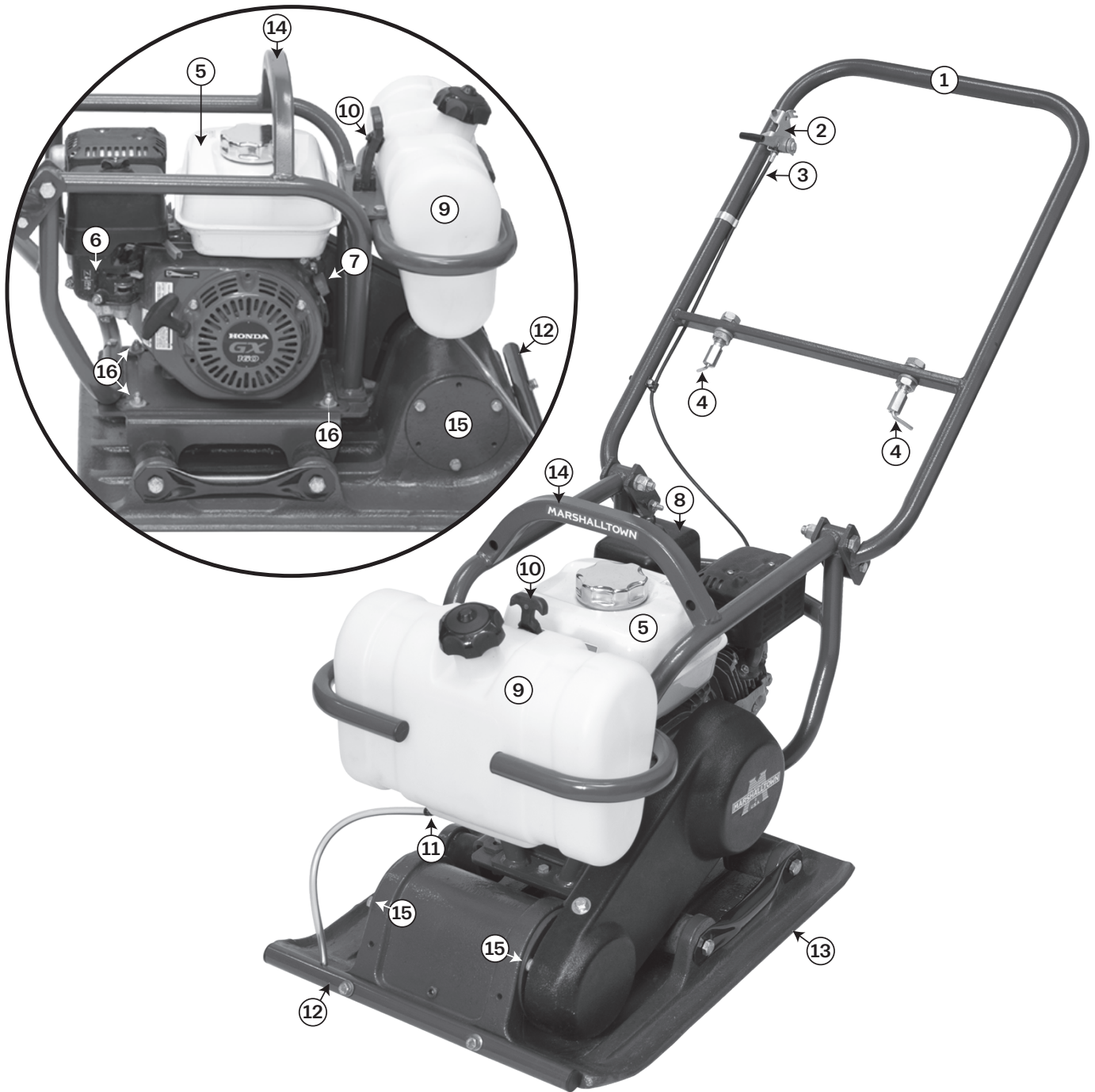
TECHNICAL DATA - ENGINE

HONDA	GX160
WEIGHT (LBS)	33
DISPLACEMENT CM^3	163
OIL CAPACITY US QT	0.61
FUEL TANK CAPACITY US GAL.	0.82
FUEL	86 OCTANE OR HIGHER
IDLE SPEED RPM	1400
TOP SPEED RPM	3800
SPARK PLUG	BPR6ES (NGK)
SPARK PLUG GAP	.7 to .8 mm
ENGINE OIL	SAE 10W30
EXCITER OIL	14.5 OZ FULL SYNTHETIC 10W-30

SUGGESTED RETAIL PARTS

EDI	NAME
32359	V-BELT, AX31 TRI-POWER
32351	THROTTLE LEVER/CABLE KIT
32353	OPERATING HANDLE KIT
32354	RETRACTABLE HANDLE LOCK KIT
32355	HANDLE BUSHING/CONNECTION KIT
32356	VIBRATION ISOLATOR KIT
32358	LIFT HANDLE KIT
32360	DRIVEN PULLEY KIT
32361	CLUTCH KIT
32357	BELT GUARD KIT
32352	THROTTLE CLIPS
32362	WATER TANK KIT
32363	WATER TANK
32364	WATER LINE
32365	END CAP (CLOSED)
32366	END CAP (OPEN)

COMMON COMPONENTS



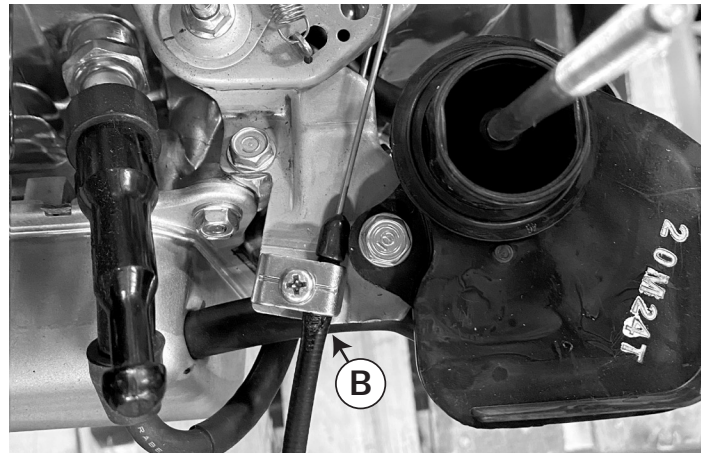
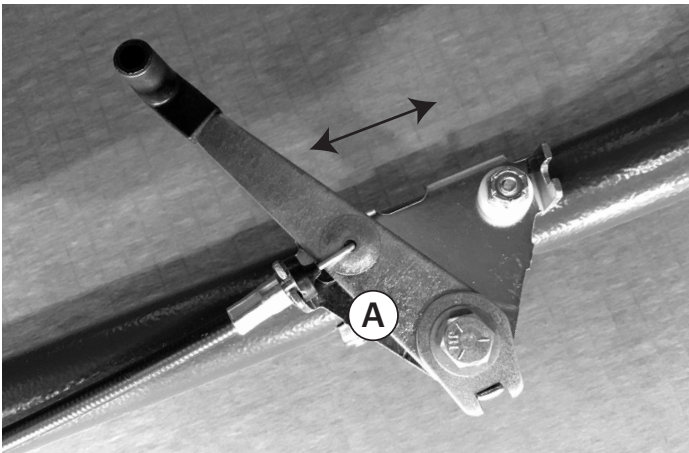
REF #	NAME	REF #	NAME
1	HANDLE	9	WATER TANK (if applicable)
2	THROTTLE LEVER	10	WATER TANK STRAP (if applicable)
3	THROTTLE CABLE	11	WATER VALVE (if applicable)
4	HANDLE LOCKS	12	DRIP BAR (if applicable)
5	GAS TANK	13	BASE PLATE
6	FUEL VALVE LEVER AND CHOKE	14	LIFTING LOOP
7	ON/OFF SWITCH	15	BEARING HOUSING
8	AIR FILTER	16	ENGINE MOUNTING NUTS

PRE-OPERATION CHECKS

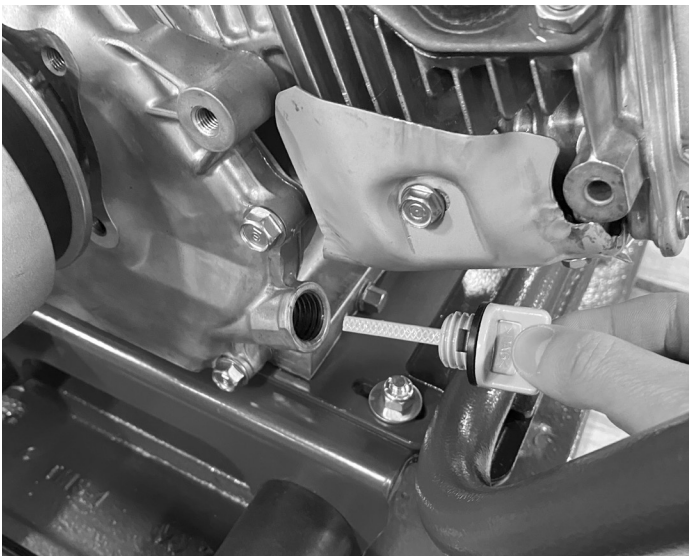
After removing plate compactor from pallet and packaging, there is no assembly.

The operator must be familiar with the location and operation of all controls. In a safe and well-ventilated area preform the following:

1. Check entire machine for loose or missing hardware. Contact MARSHALLTOWN Customer Service at 800-888-0127 if any pieces are missing.
2. Check the fuel filter and inspect air filter.
3. The plate compactor comes filled with exciter oil, so there is no need to check oil level. See Scheduled Maintenance for oil replacement schedule (page 11).



4. The throttle cable/lever comes connected to the handle (A) and carburetor (B). Move throttle lever and watch movement on the carburetor to insure correct operation.

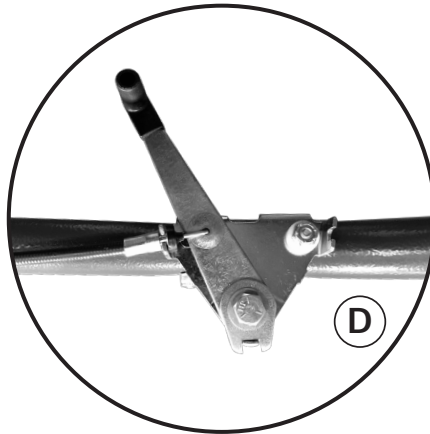
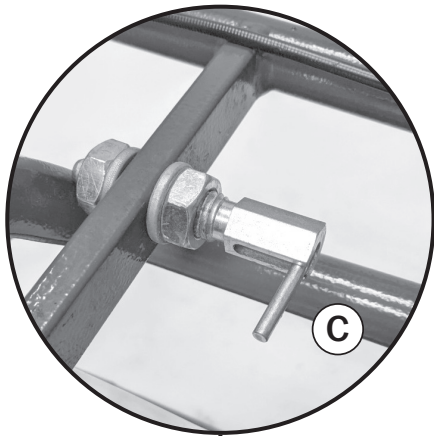


5. The plate compactor ships with engine oil, but check prior to starting.

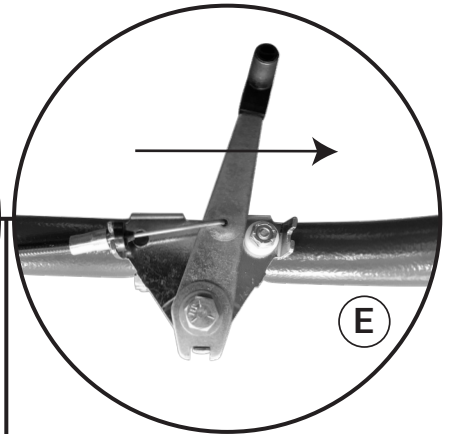


6. Correct belt tension can be checked by using moderate pressure to squeeze both sides of belt. Approximately 1" of movement is correct tension. Loosen engine mounting plate and adjust to correct belt tension. Retighten.

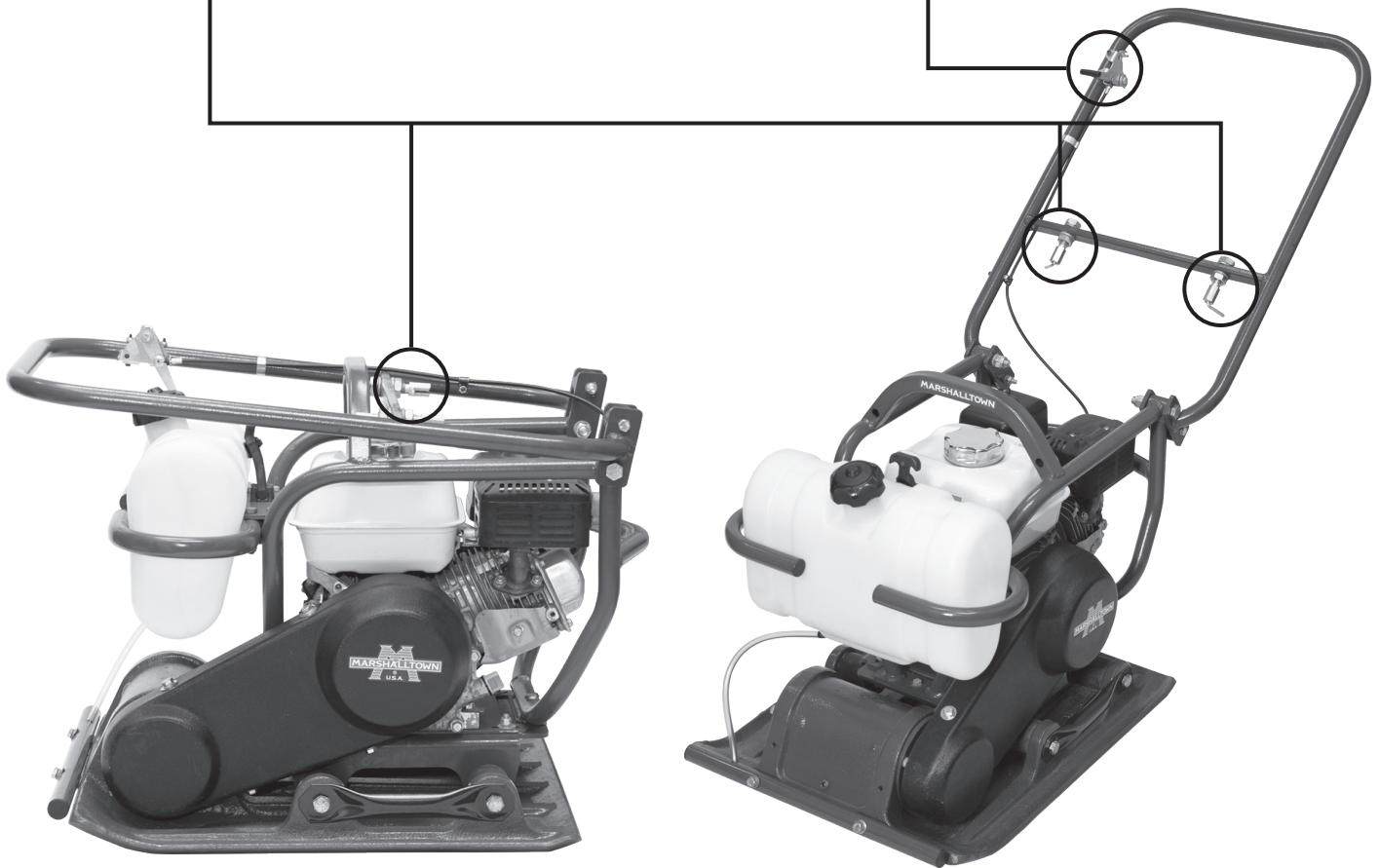
CONTROLS AND ACCESSORIES



Throttle in idle position during warm-up



Pull back to increase throttle during use



Handle lock (C) – The handle can lock into place during storage and transport. Always unlock handle into operating position when in use.

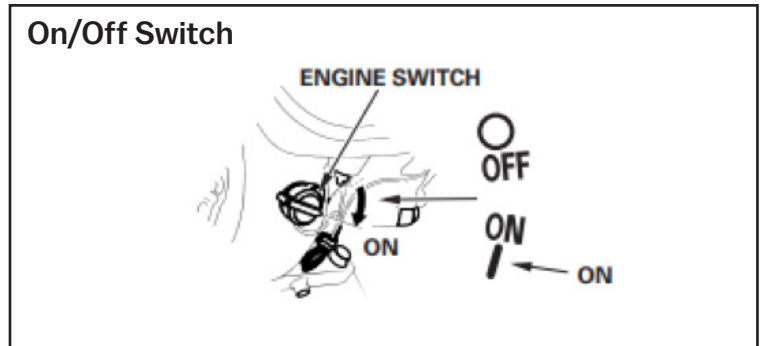
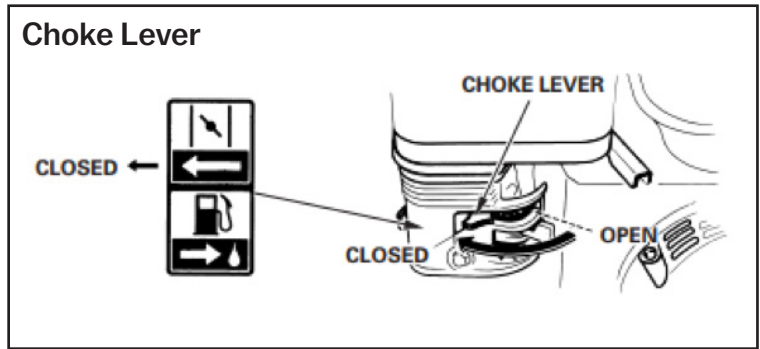
Throttle lever – When starting compactor, position the throttle lever towards front of unit (D). Idle in this position during warm up.

Adjust throttle lever away from front (E) of unit to engage clutch and operate plate compactor.

OPERATION

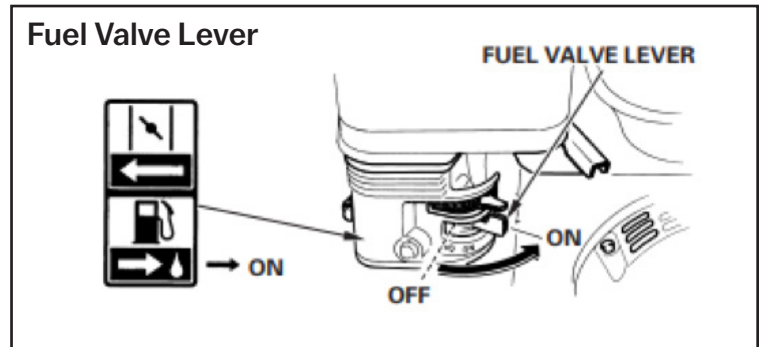
STARTING THE ENGINE

1. On a cold engine, move choke lever to CLOSED position. To restart a warm engine leave choke in OPEN .
2. Switch the On/Off Switch to the On position.
3. Switch the fuel valve lever on.
4. Pull the starter grip lightly until you feel resistance, then pull briskly. Repeat until engine starts.
5. If the choke lever was moved to the CLOSED position to start the engine, gradually move it to the OPEN position as the engine warms up.



RESTARTING THE ENGINE

1. Leave the choke lever in the OPEN position.
2. Switch the On/Off Switch to the On position.
3. Switch the fuel valve lever on.
4. Pull the starter grip lightly until you feel resistance, then pull briskly. Repeat until engine starts.



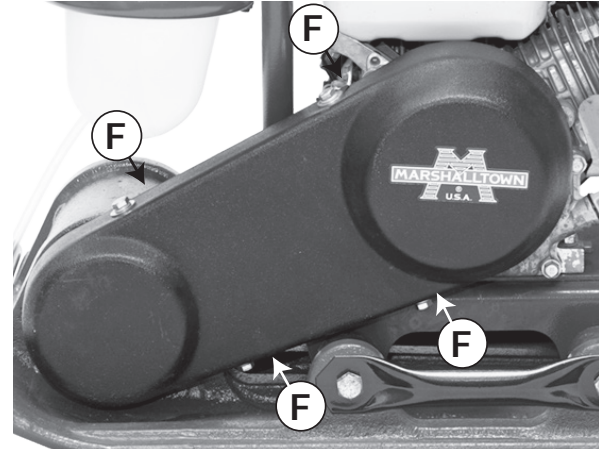
MAINTENANCE

CHECK OIL LEVEL	BEFORE EACH USE
CHANGE ENGINE OIL	FIRST MONTH OR 10 HRS. - 6 MO. OR 50 HRS AFTER
CHANGE EXCITER OIL	EVERY 200 HOURS OR EVERY 3 YEARS
CHECK FUEL LEVEL	BEFORE EACH USE
CHECK AIR FILTER	BEFORE EACH USE
CHECK BELT	EVERY 25 HOURS OR EVERY 3 MONTHS
CHANGE BELT	AS NEEDED
CHECK THROTTLE	BEFORE EACH USE
REPLACE AIR FILTER	EVERY 25 HOURS OR EVERY 3 MONTHS
SPARK PLUG - CHECK AND ADJUST	EVERY 100 HOURS OR 1 YEAR
SPARK PLUG - REPLACE	EVERY 300 HOURS OR 2 YEARS
CHECK NUTS AND BOLTS	BEFORE EACH USE

MAINTENANCE

CHANGING THE BELT

1. Remove 4 hex head screws (F) holding blade guard in place.
2. Loosen 4 engine mounting plate nuts (G).
3. Slide engine and mounting plate forward so belt can be removed.
4. Install new belt.
5. EVENLY pull mounting plate back to tighten belt on pulleys. Approximately 1" amount of slack in the belt is acceptable.
6. Tighten mounting plate nuts.
7. Replace belt guard.



CHANGING EXCITER OIL

1. When changing the exciter oil, remove the drain plug located at the bottom-right of the exciter housing (H), and simply tip the compactor to drain the oil. Note that the oil will drain more easily while it is hot. Remember to use only Fully Synthetic 10W30 motor oil when replacing exciter oil.

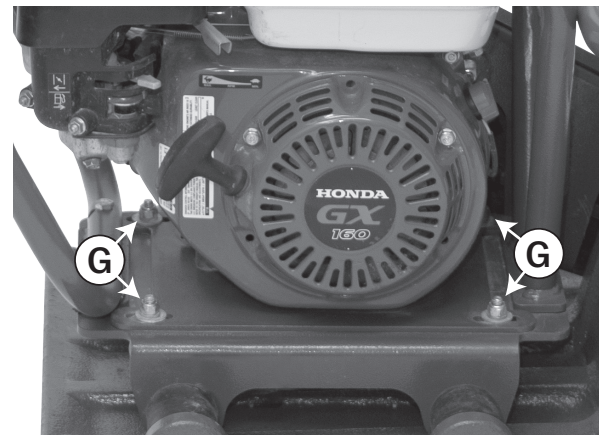


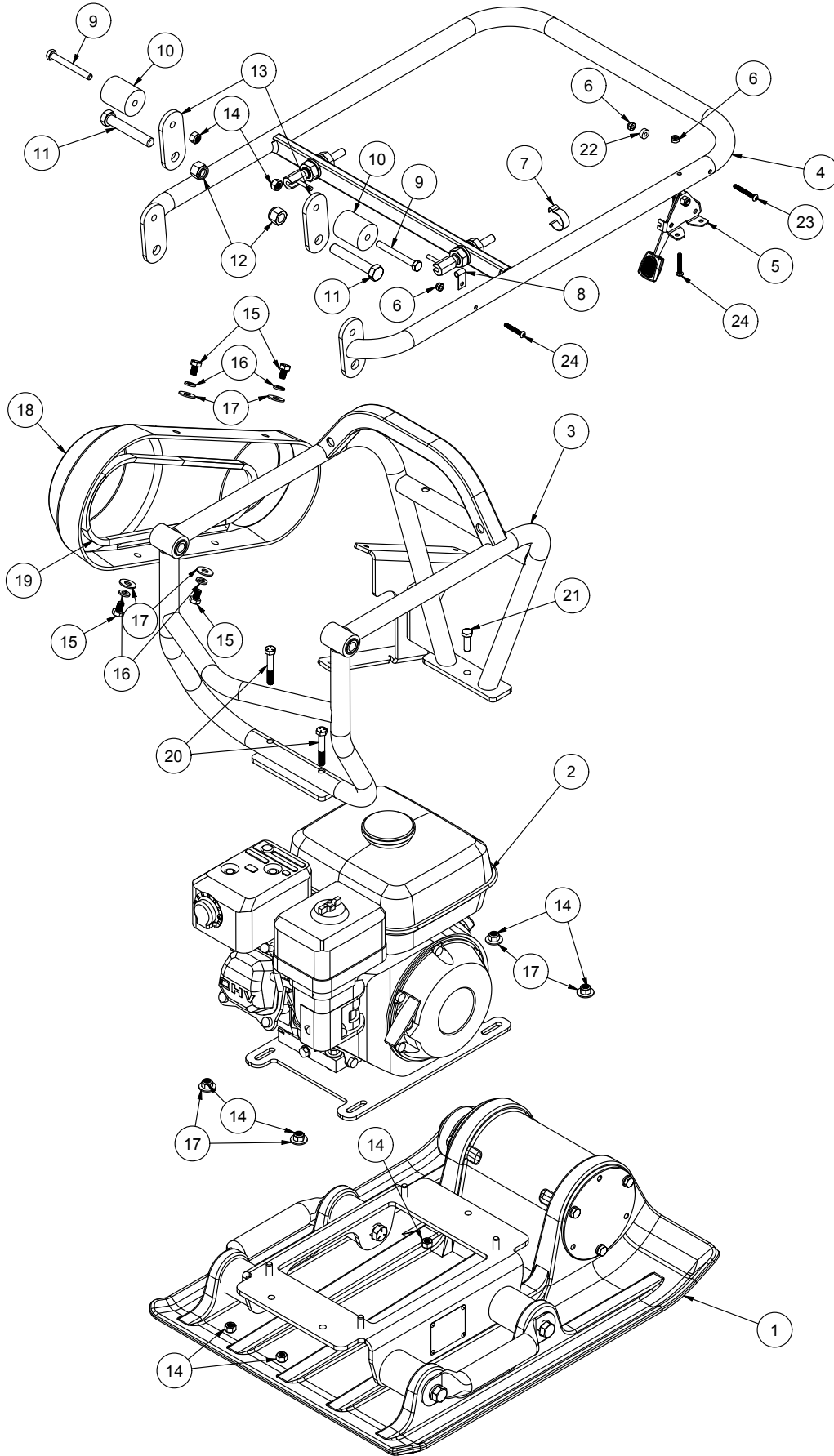
PLATE COMPACTOR STORAGE

For storage of the plate compactor for over 30 days, the following is required:

1. Drain the fuel tank completely or add STA-BIL to the fuel.
2. Run the engine until the fuel is completely consumed.
3. Completely drain the oil from the engine crankcase and follow procedures described in the HONDA engine Owner's Manual for engine storage.
4. Completely drain the compactor's hydraulic oil from the vibrating case.
5. Clean entire plate compactor, especially the bottom plate, removing all dirt and foreign matter.
6. Cover plate compactor and engine with plastic covering or equivalent and store in a clean, dry place.



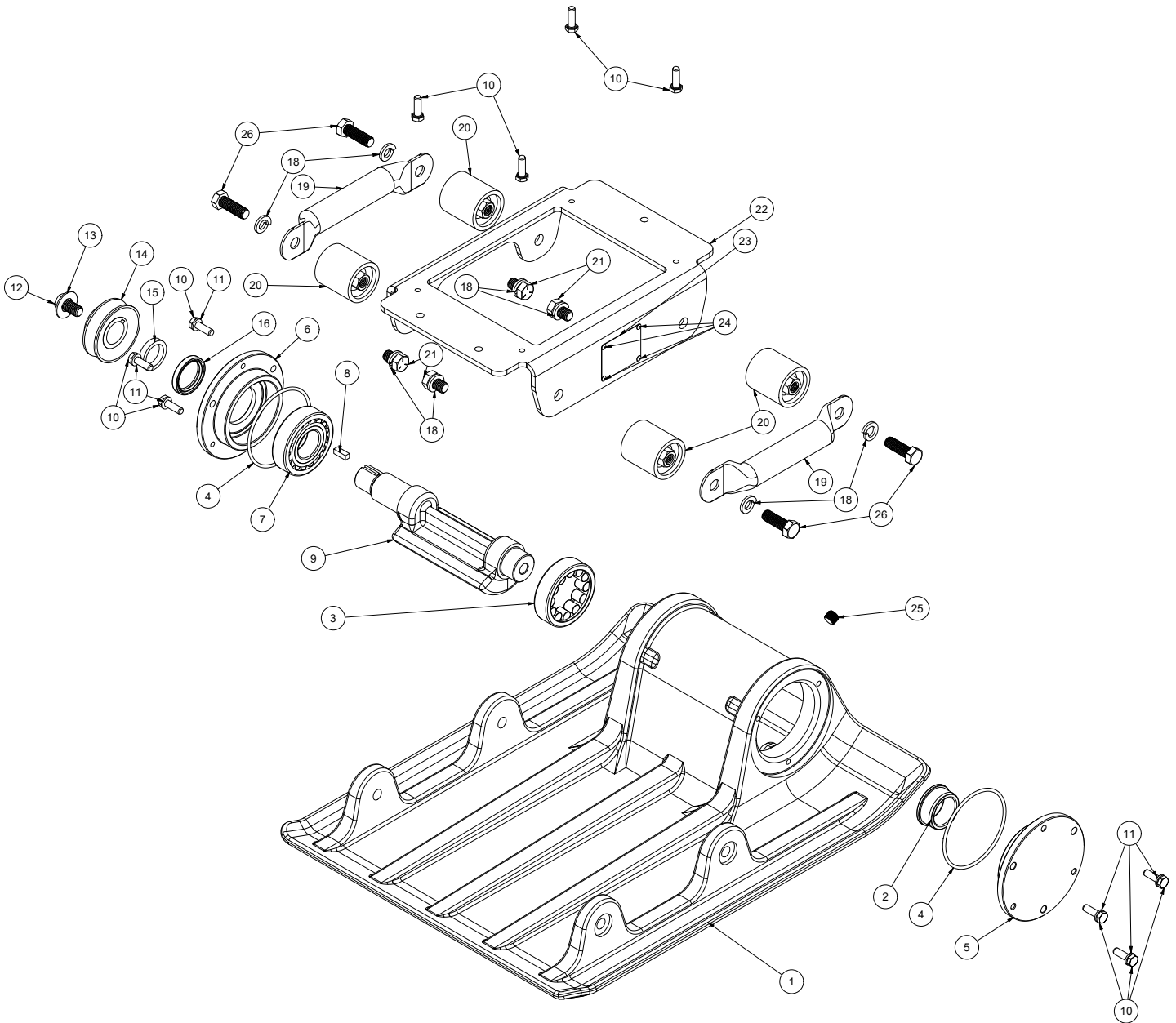
PARTS BREAKDOWN - VP3800



PARTS BREAKDOWN - VP3800

REF #	NAME	PART #	QTY
1	BASE PLATE ASSEMBLY	R3929	1
2	MOTOR ADJUSTMENT ASSEMBLY	R3932	1
3	FRAME ASSEMBLY	R3933	1
4	HANDLE ASSEMBLY	R3934	1
5	THROTTLE LEVER-FRICTION STYLE WITH CABLE	WX2623	1
6	NYLOK LOCKNUT, 10-24	WR370	3
7	SINGLE CONDUIT SNAP CLIP	WR1468	1
8	LOOSE STRING-ON CLIP	WR1469	1
9	HEX HEAD CAP SCREW, 5/16-18 UNC, 2.75" LONG	WR1502	2
10	HANDLE BUMPER	R5875	2
11	HEX HEAD CAP SCREW, 1/2-13 UNC, 3" LONG	WR1459	2
12	LOCKING NYLON NUT, 1/2"-13	WR1133	2
13	HANDLE, MOUNT PLATE	WX2817	2
14	NYLOK LOCKNUT, 5/16-18	WR118	9
15	HEX HEAD CAP SCREW 5/16"-18 X 1/2" LONG	WR1458	4
16	LOCKWASHER, 5/16 INCH, REGULAR	WR364	4
17	WASHER FLAT, 5/16	WR236	8
18	BELT GUARD	WL712	1
19	A-SECTION, V-BELT, AX-31 TRI-POWER	WK227	1
20	HEX HEAD CAP SCREW 5/16" - 18 UNC, 2" LONG	WR1396	2
21	HEX HEAD CAP SCREW 5/16-18 UNC, 1" LONG	WR1007	1
22	NYLON SPACER - 1/2" OD X 3/16" LONG, #10 SCREW SIZE	WL898	1
23	BUTTON HEAD CAP SCREW - 10-24 X 1.5" LONG	WR1495	1
24	BUTTON HEAD CAP SCREW - 10-24 X 1.25" LONG	WR1498	2

PARTS BREAKDOWN - BASE PLATE

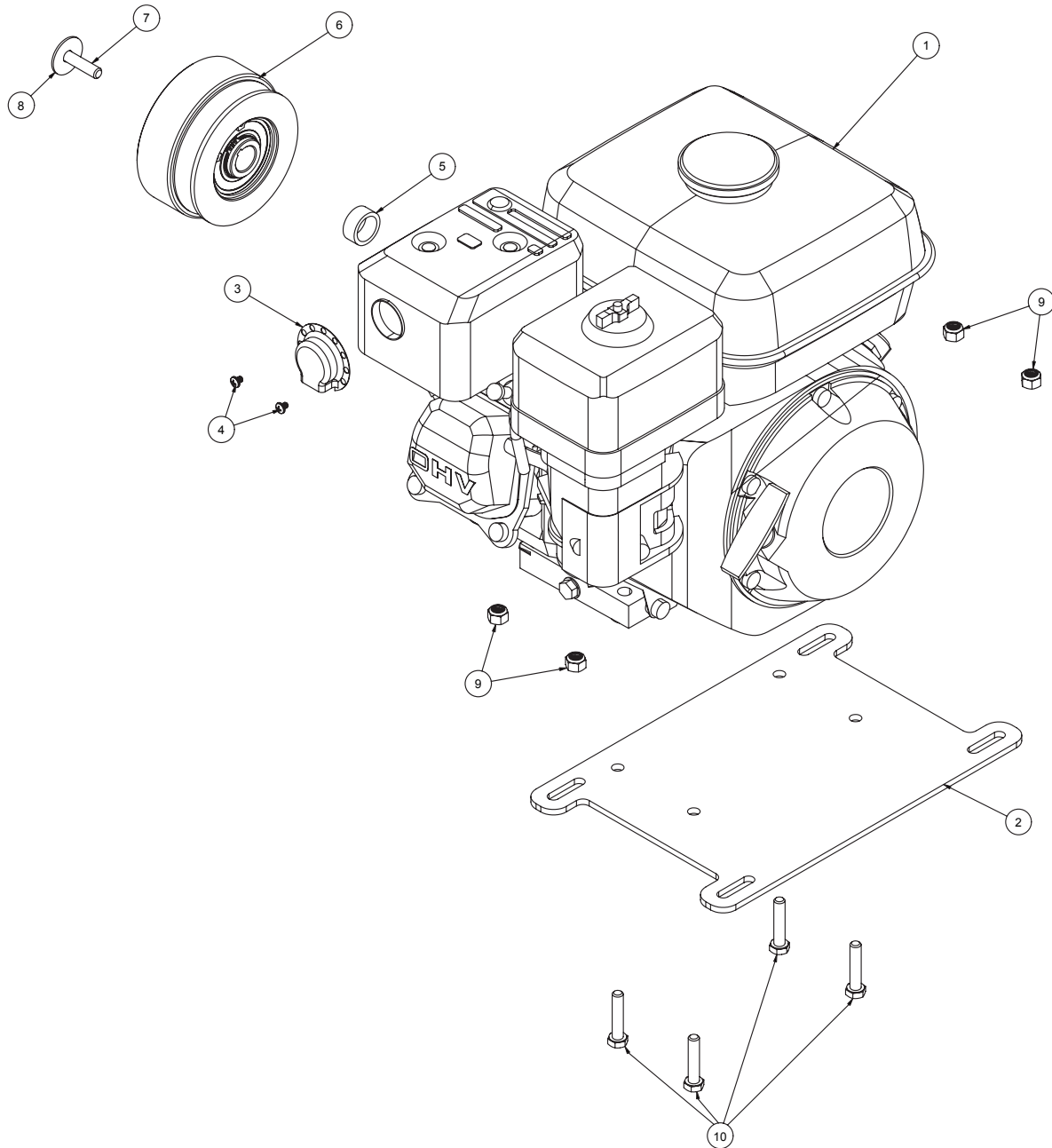


REF #	NAME	PART #	QTY
1	BASE PLATE, MACHINED	R4515	1
2	CYLINDRICAL ROLLER BEARING (INNER RACE)	WX2461-IR	1
3	CYLINDRICAL ROLLER BEARING (OUTER RACE)	WX2461	1
4	BUNA N O-RING, DASH 240	WK224	2
5	END CAP, MACHINED (CLOSED)	R4424-010	1
6	END CAP, MACHINED (OPEN)	R4423-010	1
7	SPHERICAL ROLLER BEARING	WX2460	1
8	STEEL MACHINE KEY 0.25 X 0.25 X 0.75	WR1417	1
9	EXCITER SHAFT, MACHINED	R4438	1
10	SCREW HEX HD 5/16-18 X 1	WR1007	10

PARTS BREAKDOWN - BASE PLATE CONT.

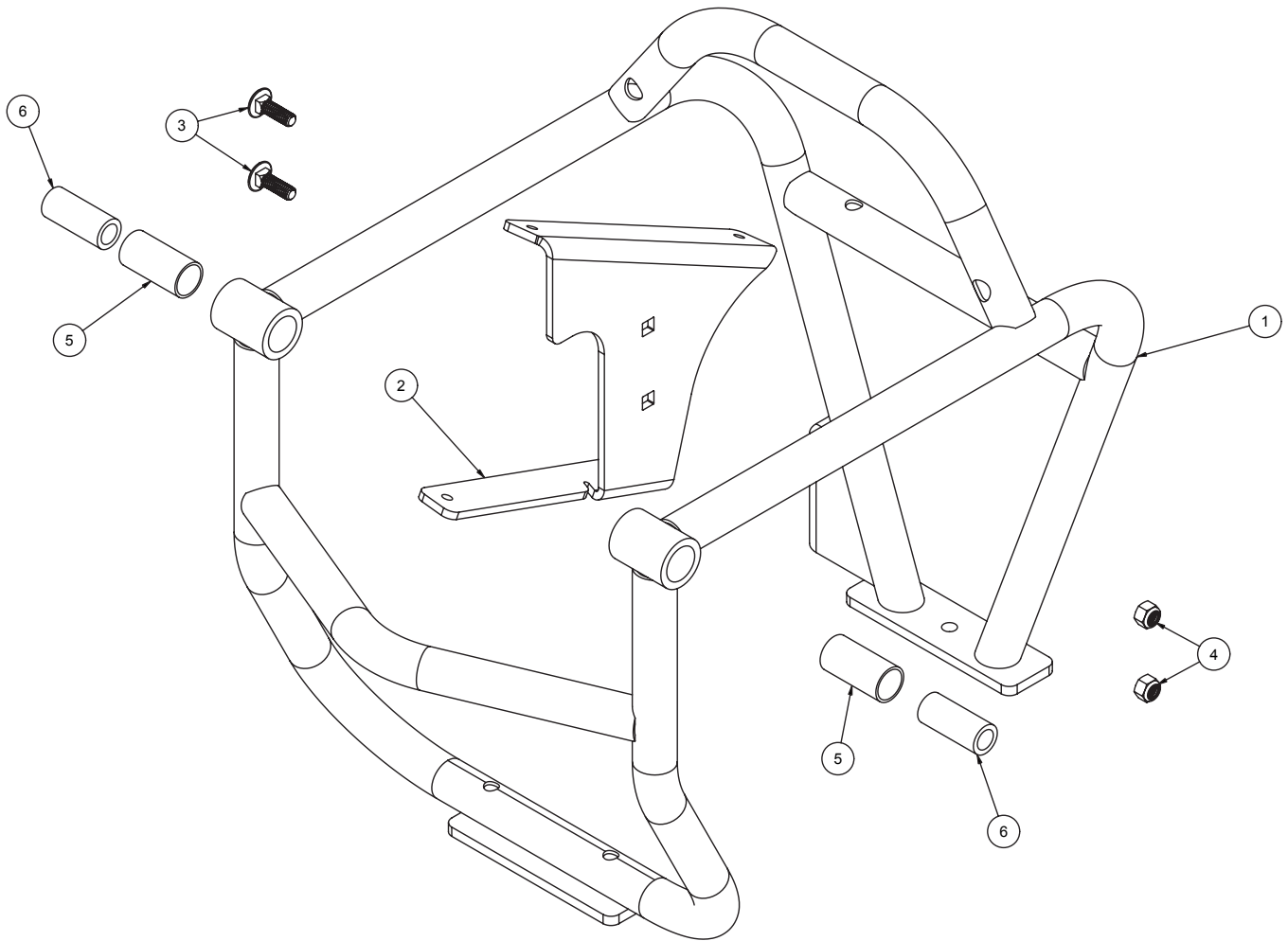
REF #	NAME	PART #	QTY
11	REGULAR HELICAL SPRING LOCK WASHERS (INCH SERIES)	WR364	6
12	HHCS 1/2"-13 UNC X 0.875"	WR1398	1
13	WASHER - 1/2" ZINC PLATED	WR411	1
14	CAST IRON PULLEY	WB125	1
15	STEEL SPACER 0.280" LONG-VP3800	R4524	1
16	RADIAL SHAFT SEAL	WX2463	1
18	LOCKWASHER, 1/2" ZINC PLATED SPLIT	WR256	8
19	HANDLE, LOWER GRAB	R4516	2
20	VIBRATION DAMPING SANDWICH MOUNT	WK222	4
21	HHCS 1/2"-13 UNC X 0.75"	WR1455	4
22	MOTOR ISOLATOR PLATE	R4517	1
23	MODEL/SERIAL PLATE	WS229	1
24	1/8" POP RIVET	WR1462	4
25	NPT PIPE PLUG	WR1405	1
26	HCS 1/2-13 X 1-1/2 Z5	WR1018	4

PARTS BREAKDOWN - MOTOR ADJUSTMENT



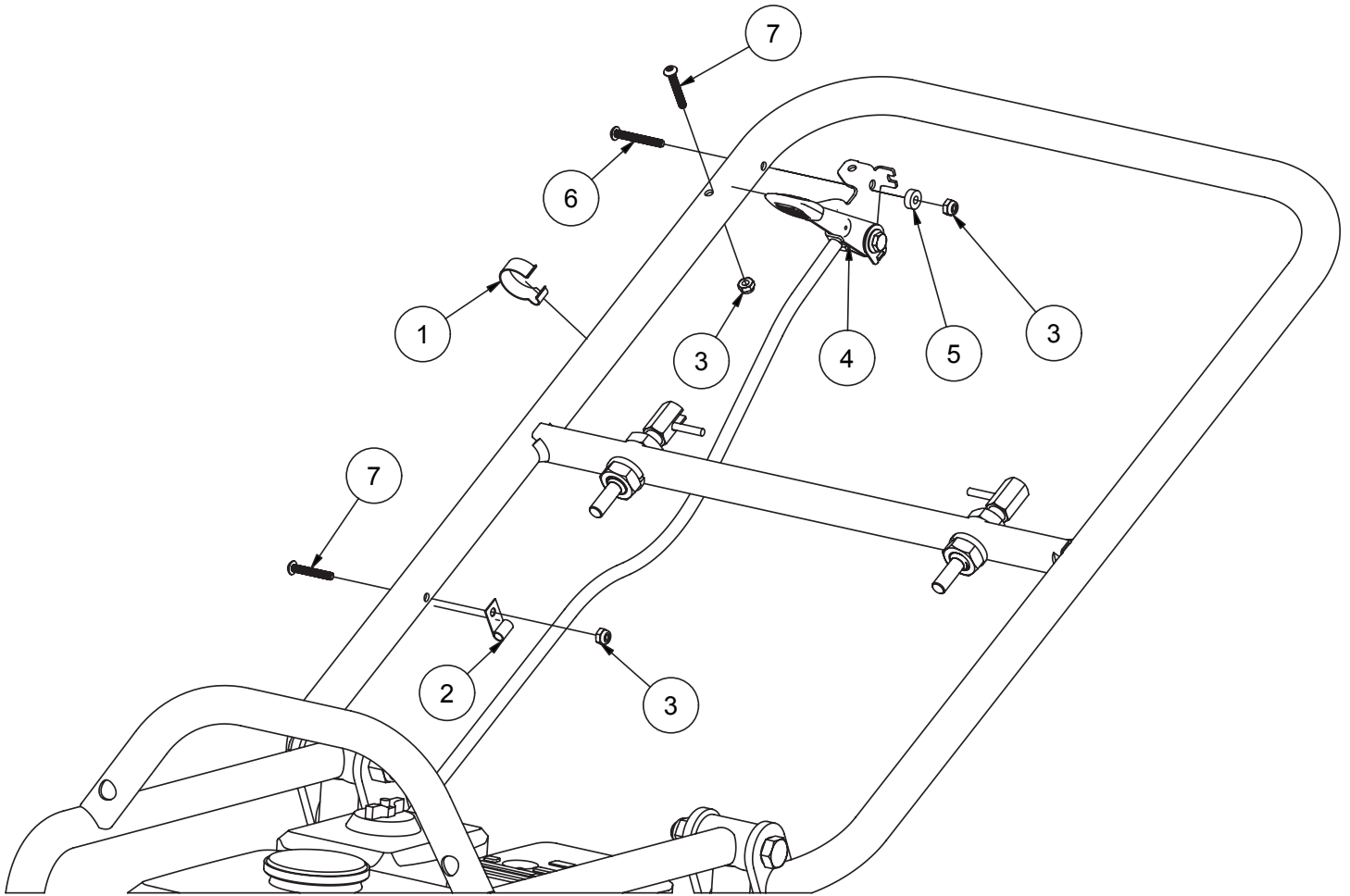
REF #	NAME	PART #	QTY
1	ENGINE, HONDA GX160	WX2301	1
2	MOTOR MOUNT ADJUSTMENT PLATE	R4518	1
3	HONDA GX160 EXHAUST DEFLECTOR	WX2465	1
4	PAN HEAD SCREW M4 X 5MM	WR1507	2
5	STEEL SPACER 0.425" LONG-CP3800	R4535	1
6	CLUTCH ASSEMBLY	WX2528	1
7	HHCS, 5/16-24 UNF, 1.25" LONG	WR1419	1
8	WASHER, ANSI B WIDE 5/16"	WR1418	1
9	NYLOK LOCKNUT, 5/16-18	WR118	4
10	HHCS, 5/16-18 UNC, 1.5" LONG	WR1008	4

PARTS BREAKDOWN - FRAME



REF #	NAME	PART #	QTY
1	FRAME	R4519	1
2	BELT GUARD MOUNT PLATE	R4520	1
3	ZINC-PLATED STEEL SQUARE NECK CARRIAGE BOLT	WR1404	2
4	NYLOK LOCKNUT, 5/16-18	WR118	2
5	LIGHT DUTY DRY-RUNNING SLEEVE BEARING	R4521	2
6	OIL-EMBEDDED SLEEVE BEARING	WX2563	2

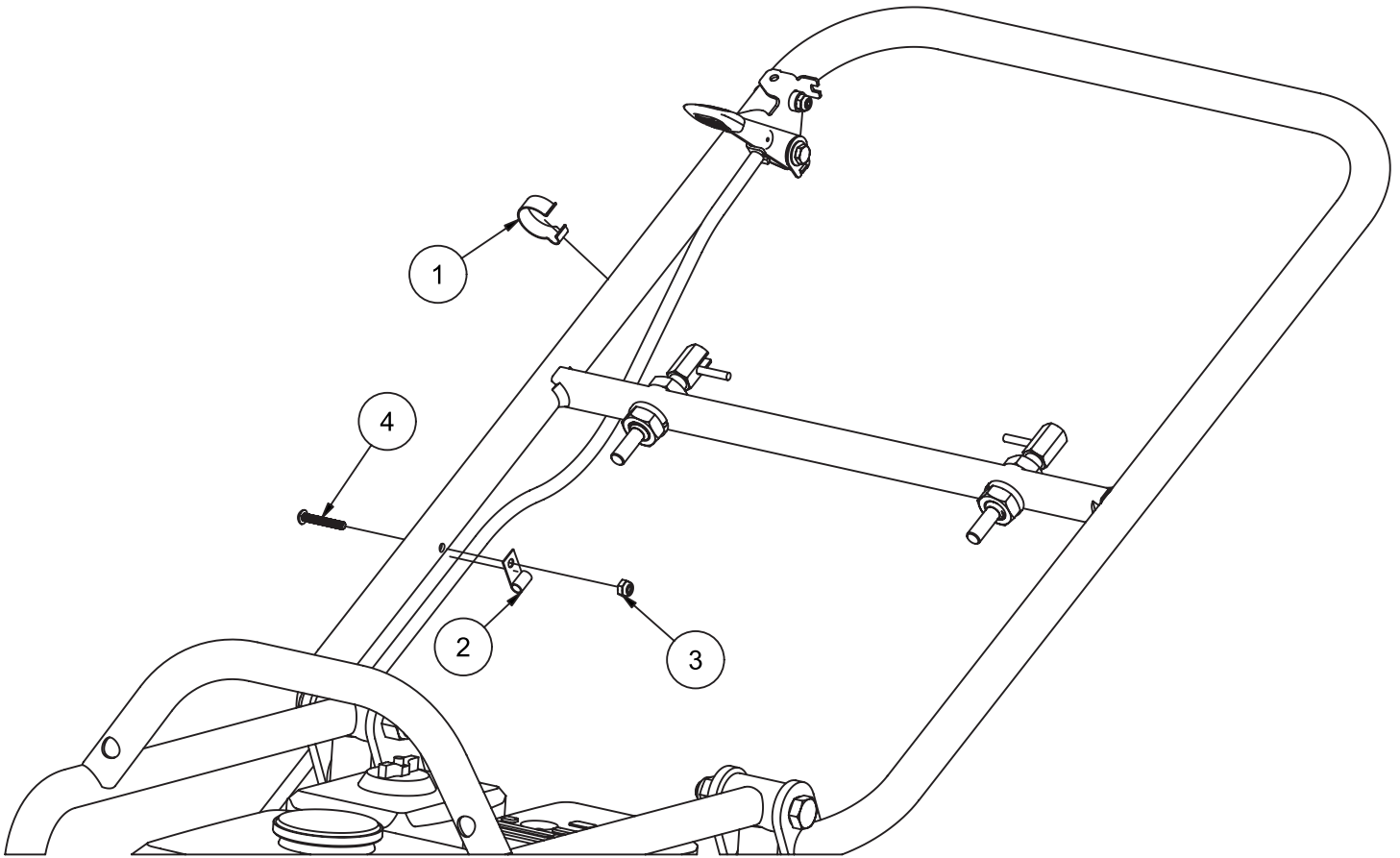
PARTS BREAKDOWN - THROTTLE LEVER/CABLE



THROTTLE LEVER/CABLE KIT EDI# 32351 INCLUDES:

ITEM	DESCRIPTION	PART #	QTY
1	SINGLE CONDUIT SNAP CLIP	WR1468	1
2	LOOSE STRING-ON CLIP	WR1469	1
3	#10-24 NYLOK NUT, TOP LOCK STYLE	WR370	3
4	THROTTLE LEVER-FRICTION STYLE WITH CABLE	WX2623	1
5	NYLON SPACER - 1/2" OD X 3/16" LONG, #10 SCREW SIZE	WL898	1
6	BUTTON HEAD CAP SCREW - 10-24 X 1.5" LONG	WR1495	1
7	BUTTON HEAD CAP SCREW - 10-24 X 1.25" LONG	WR1498	2

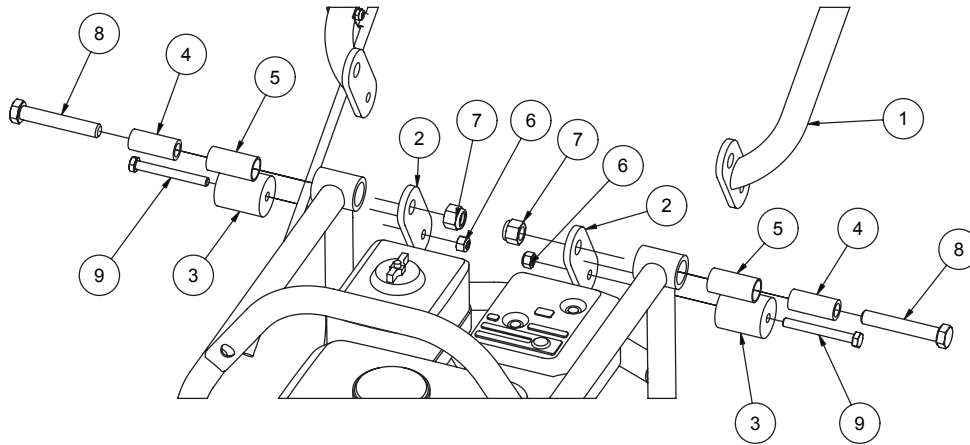
PARTS BREAKDOWN - THROTTLE CLIP



THROTTLE CLIP KIT EDI# 32352 INCLUDES:

ITEM	DESCRIPTION	PART #	QUANTITY
1	SINGLE CONDUIT SNAP CLIP	WR1468	1
2	LOOSE STRING-ON CLIP	WR1469	1
3	#10-24 NYLOK NUT, TOP LOCK STYLE	WR370	1
4	BUTTON HEAD CAP SCREW - 10-24 X 1.25" LONG	WR1498	1

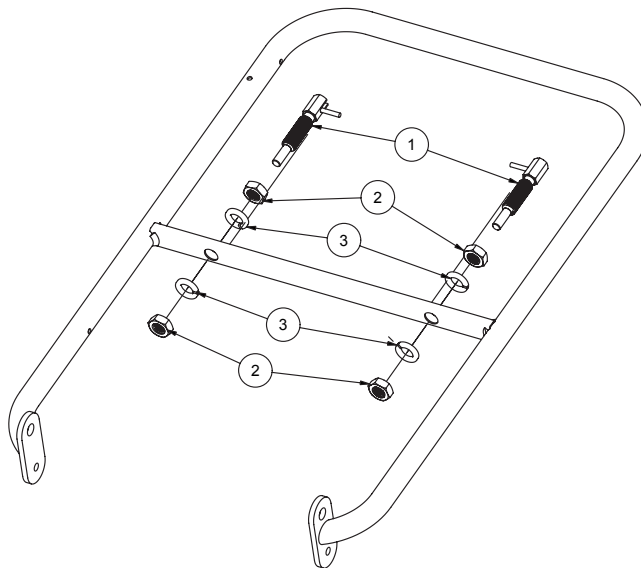
PARTS BREAKDOWN - HANDLE



HANDLE KIT EDI# 32353 INCLUDES:

REF #	NAME	PART #	QTY
1	HANDLE-VP3800-PC-BLUE - LC	R4543	1
2	HANDLE, MOUNT PLATE-VP3800-PC-BLUE	R4523	2
3	HANDLE BUMPER-VP3800	R5875	2
4	OIL-EMBEDDED SLEEVE BEARING	WX2563	2
5	LIGHT DUTY DRY-RUNNING SLEEVE BEARING-VP3800	R4521	2
6	NYLOK LOCKNUT, 5/16-18	WR118	2
7	NYLOK LOCKNUT, 1/2-13	WR1133	2
8	HEX HEAD CAP SCREW 1/2-13 UNC, 3" LONG	WR1459	2
9	HEX HEAD CAP SCREW 5/16-18 UNC, 2.75" LONG	WR1502	2

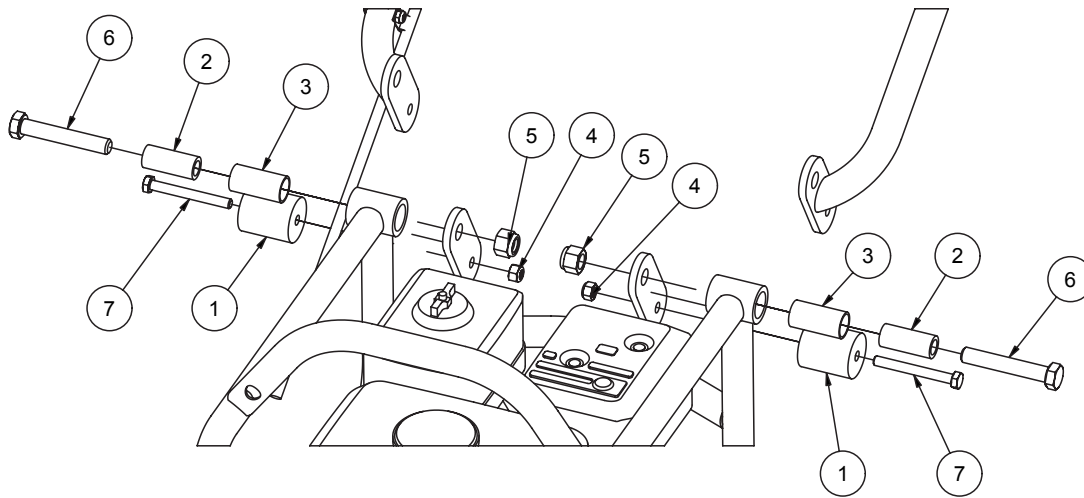
PARTS BREAKDOWN - HANDLE PIN



HANDLE PIN KIT EDI# 32354 INCLUDES:

REF #	NAME	PART #	QTY
1	RETRACTABLE SPRING PLUNGER WITH L-HANDLE	WX2423	2
2	HEX NUT, JAM, 5/8"-11 UNC	WR1402	4
3	LOCKWASHER, INCH, REGULAR 5/8"	WR1420	4

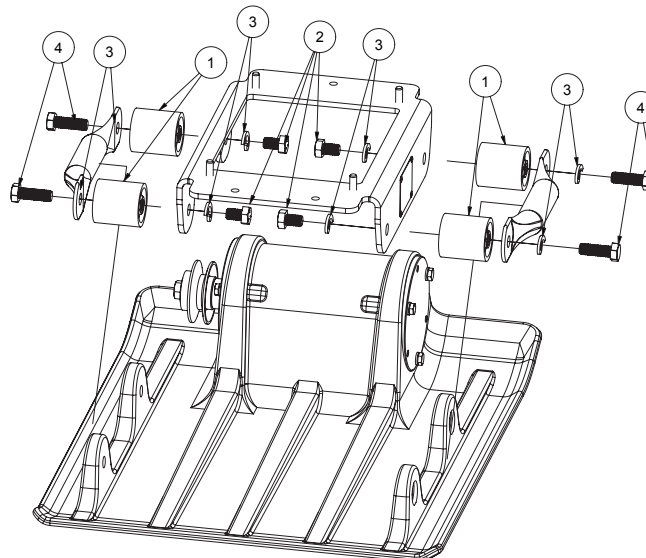
PARTS BREAKDOWN - BUSHING



BUSHING KIT EDI# 32355 INCLUDES:

REF #	NAME	PART #	QTY
1	HANDLE BUMPER-VP3800	R5875	2
2	OIL-EMBEDDED SLEEVE BEARING	WX2563	2
3	LIGHT DUTY DRY-RUNNING SLEEVE BEARING-VP3800	R4521	2
4	NYLOK LOCKNUT, 5/16-18	WR118	2
5	NYLOK LOCKNUT, 1/2-13	WR1133	2
6	HEX HEAD CAP SCREW 1/2-13 UNC, 3" LONG	WR1459	2
7	HEX HEAD CAP SCREW 5/16-18 UNC, 2.75" LONG	WR1502	2

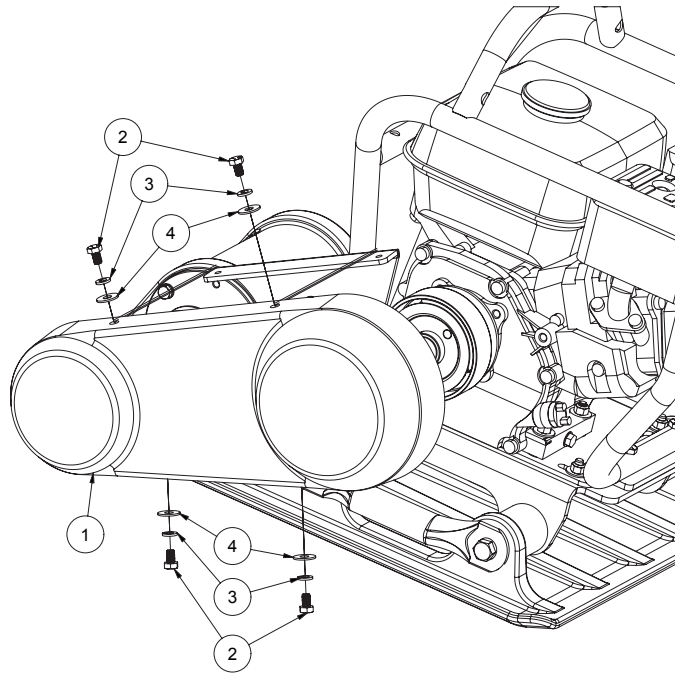
PARTS BREAKDOWN - VIBRATION MOUNT



VIBRATION ISOLATOR KIT EDI# 32356 INCLUDES:

REF #	NAME	PART #	QTY
1	VIBRATION DAMPING SANDWICH MOUNT	WK222	4
2	HHCS 1/2"-13 UNC X 0.75"	WR1455	4
3	LOCKWASHER, 1/2" ZINC PLATED SPLIT	WR256	8
4	HCS 1/2-13 X 1-1/2 Z5	WR1018	4

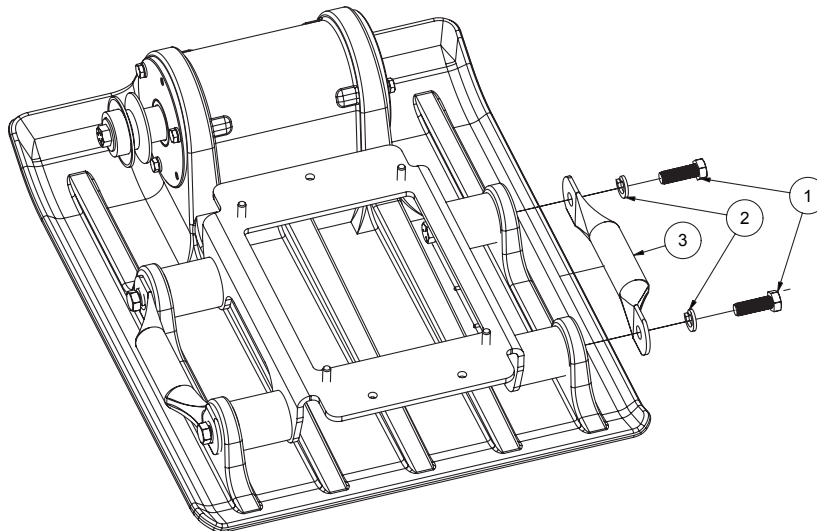
PARTS BREAKDOWN - BELT GUARD



BELT GUARD KIT EDI# 32357 INCLUDES:

REF #	NAME	PART #	QTY
1	HHCS 5/16"-18 X 1/2" LONG, ZINC PLATED	WR1458	4
2	LOCKWASHER 5/16 SPLIT, ZINC PLATED	WR364	4
3	FLAT WASHER, 5/16" ZINC PLATED USS	WR236	4
4	BELT GUARD	WL712	1

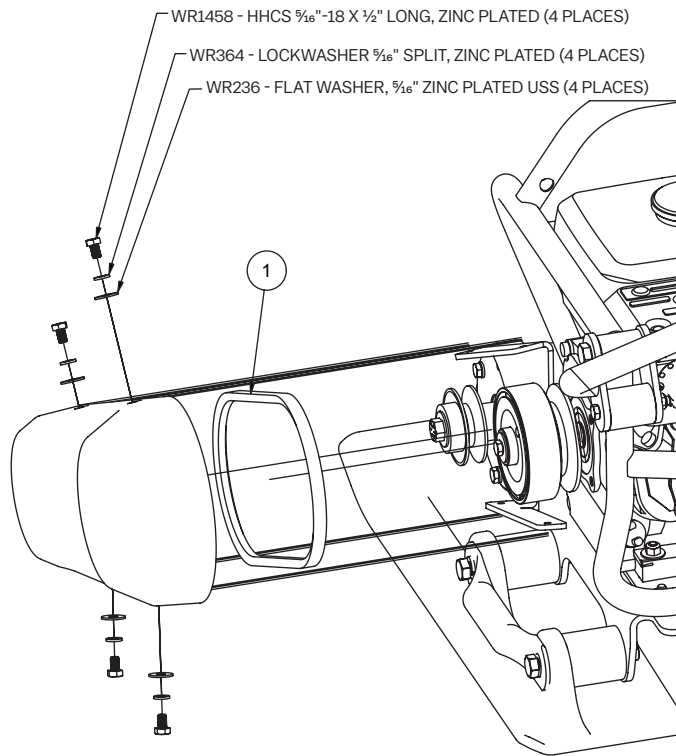
PARTS BREAKDOWN - GRAB HANDLE KIT



GRAB HANDLE KIT EDI# 32358 INCLUDES:

REF #	NAME	PART #	QTY
1	HCS 1/2-13 X 1-1/2 Z5	WR1018	2
2	LOCKWASHER, 1/2" ZINC PLATED SPLIT	WR256	2
3	HANDLE, LIFT SIDE	R4516	1

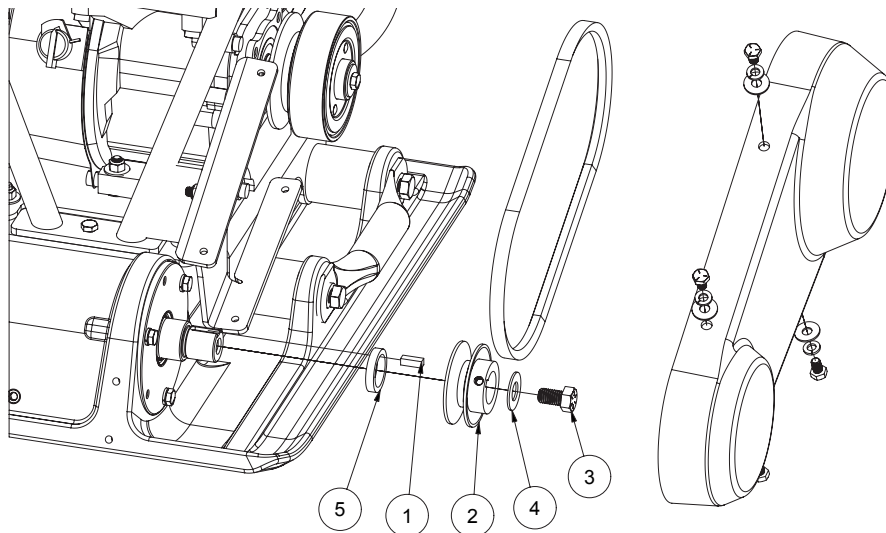
PARTS BREAKDOWN - BELT KIT



BELT KIT EDI# 32359 INCLUDES:

REF #	NAME	PART #	QTY
1	A-SECTION, V-BELT, AX31 TRI-POWER	WK227	1

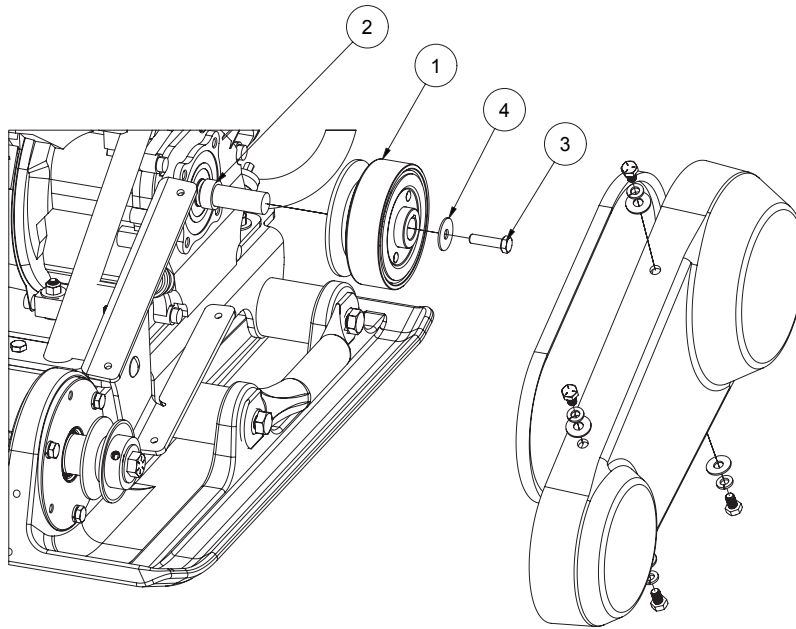
PARTS BREAKDOWN - DRIVEN PULLEY



DRIVEN PULLEY KIT EDI# 32360 INCLUDES:

REF #	NAME	PART #	QTY
1	STEEL MACHINE KEY 0.25 X 0.25 X 0.75	WR1417	1
2	CAST IRON PULLEY	WB125	1
3	HHCS 1/2"-13 UNC X 0.875"	WR1398	1
4	WASHER-1/2" ZINC PLATED	WR411	1
5	STEEL SPACER 0.280" LONG-VP3800	R4524	1

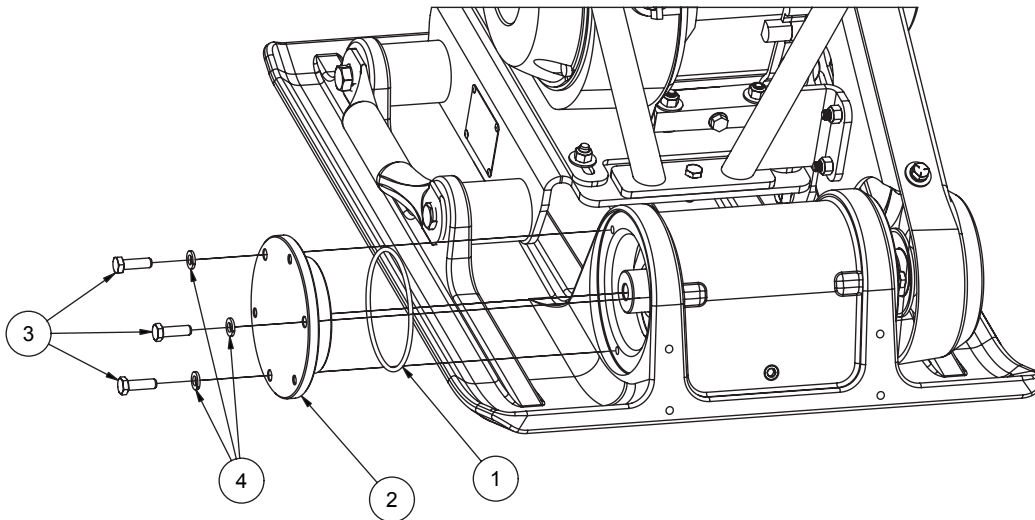
PARTS BREAKDOWN - CLUTCH



CLUTCH KIT EDI# 32361 INCLUDES:

REF #	NAME	PART #	QTY
1	CLUTCH ASSEMBLY	WX2528	1
2	STEEL SPACER 0.425" LONG-VP3800	WX2996	1
3	HHCS, 5/16-24 UNF, 1.25" LONG	WR1419	1
4	WASHER, ANSI B WIDE 5/16"	WR1418	1

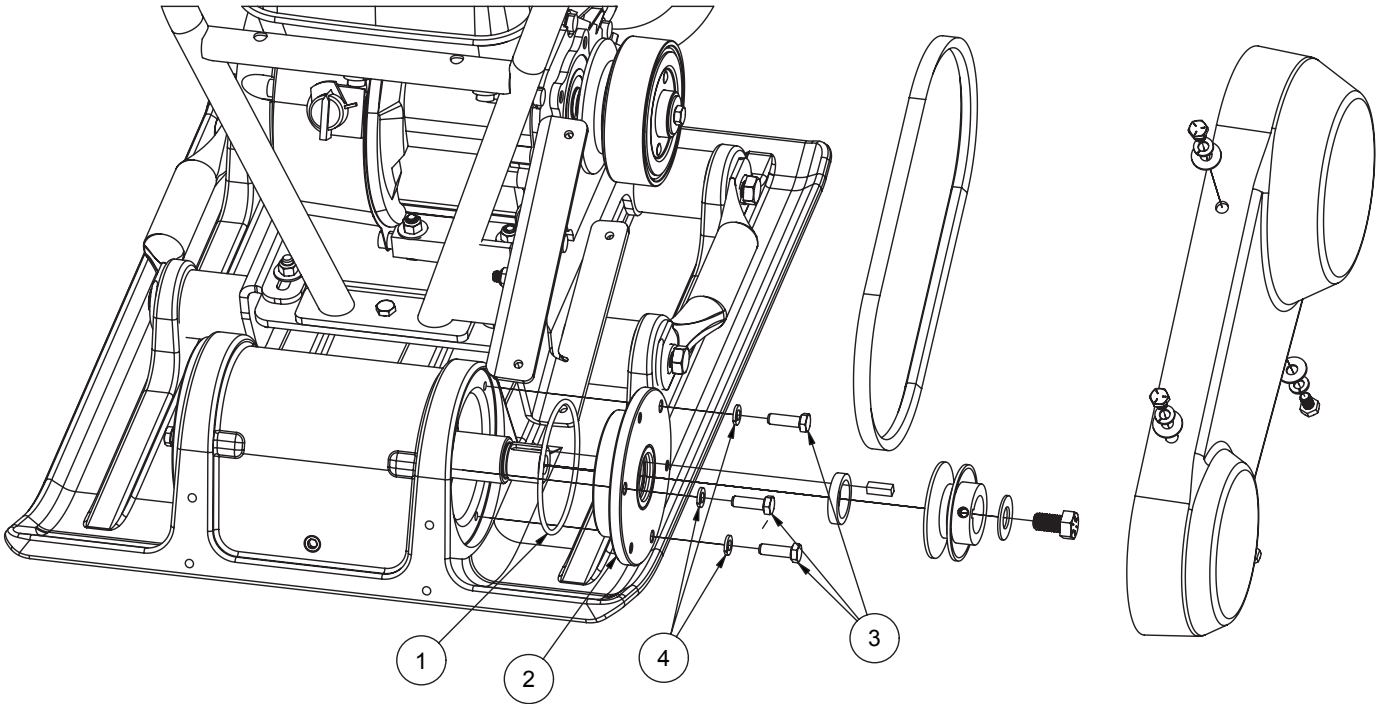
PARTS BREAKDOWN - END CAP (CLOSED)



END CAP (CLOSED) KIT EDI# 32365 INCLUDES:

REF #	NAME	PART #	QTY
1	BUNA N O-RING, DASH 240	WK224	1
2	END CAP ASSEMBLY-CLOSED-VP3800	R4124	1
3	SCREW HEX HD 5/16-18 X 1	WR1007	3
4	REGULAR HELICAL SPRING LOCK WASHERS (INCH SERIES)	WR364	3

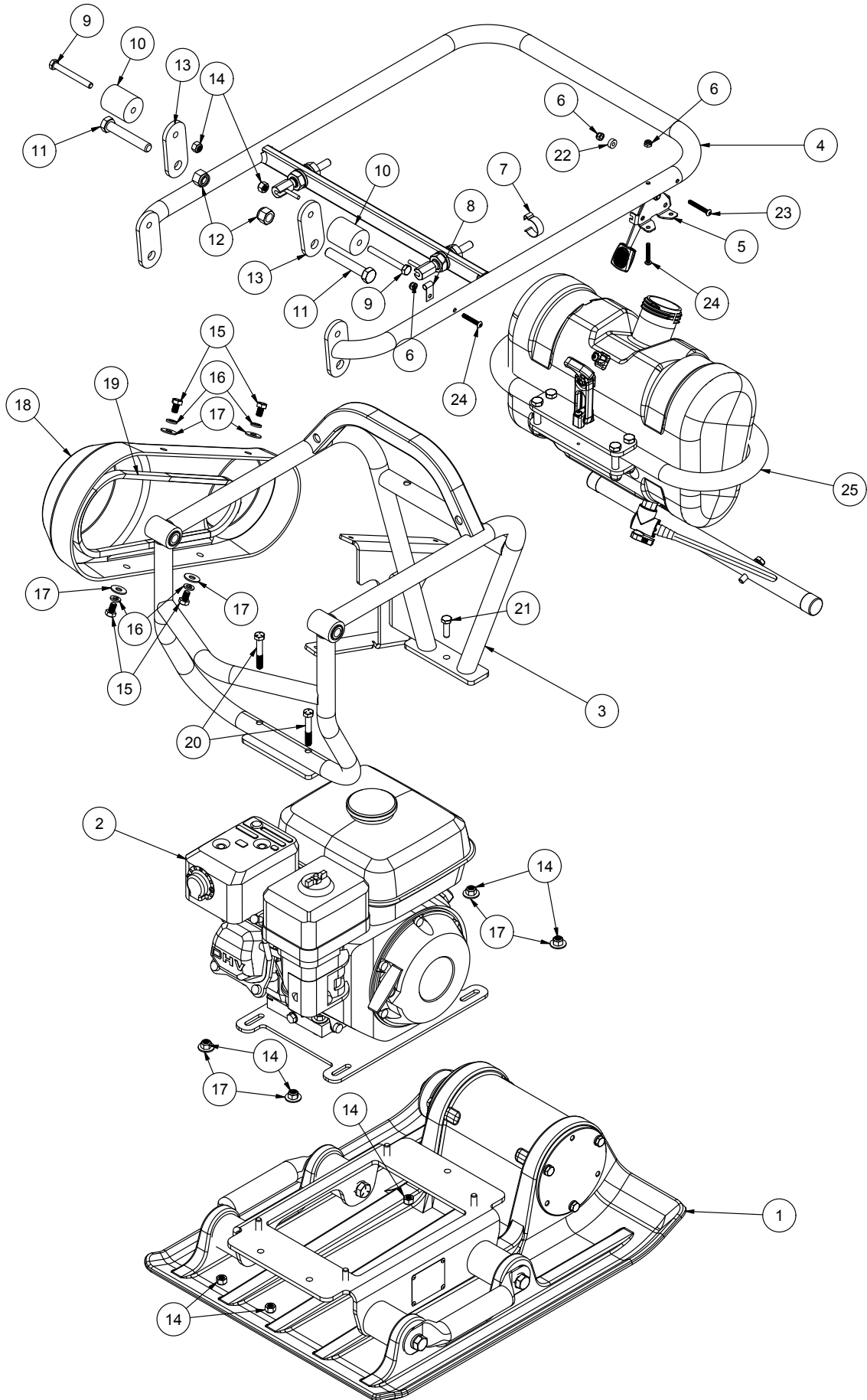
PARTS BREAKDOWN - END CAP (OPEN)



END CAP (OPEN) KIT EDI# 32366 INCLUDES:

REF #	NAME	PART #	QTY
1	BUNA N O-RING, DASH 240	WK224	1
2	END CAP ASSEMBLY-OPEN-VP3800	R4123	1
3	SCREW HEX HD 5/16-18 X 1	WR1007	3
4	REGULAR HELICAL SPRING LOCK WASHERS (INCH SERIES)	WR364	3

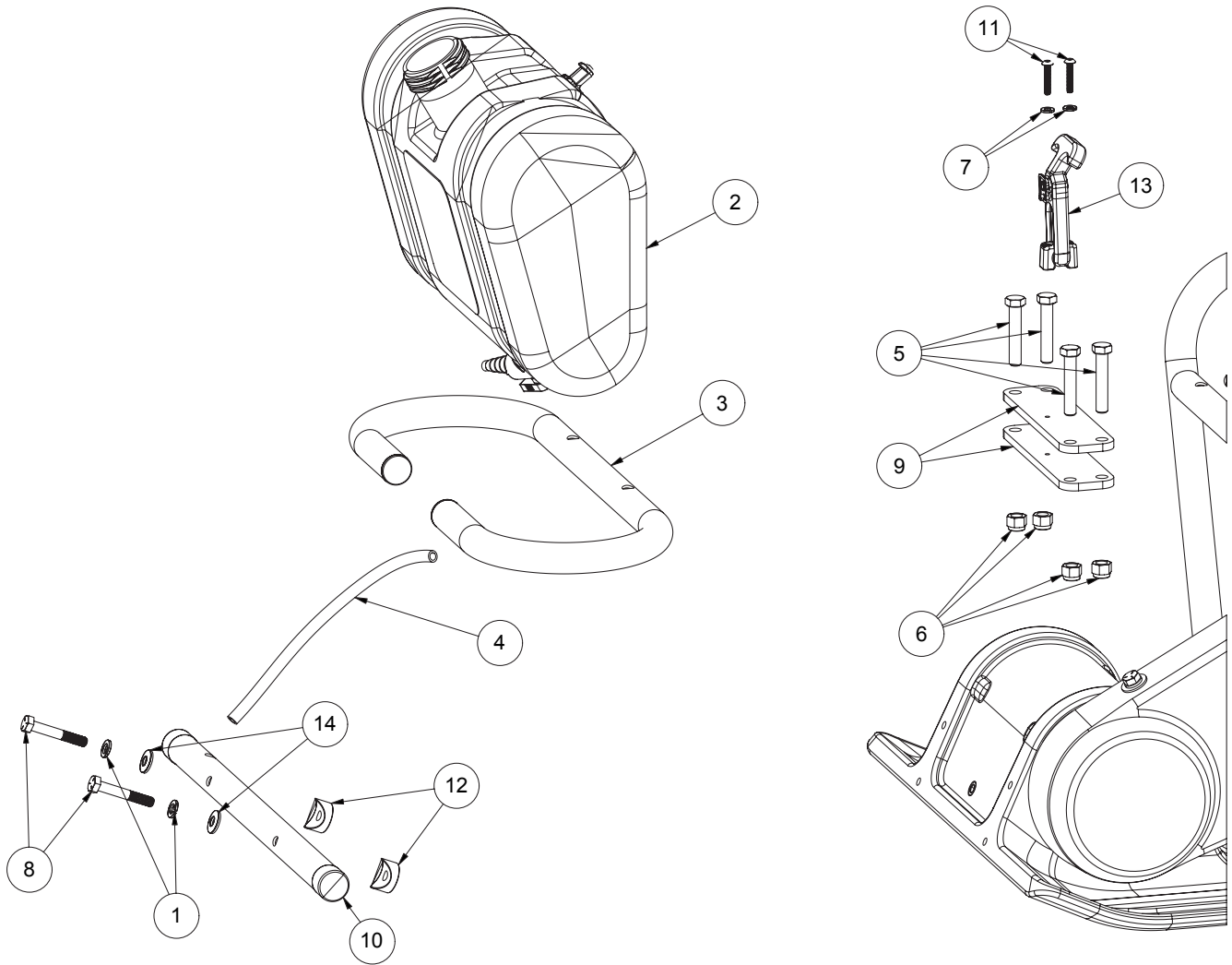
PARTS BREAKDOWN - VP3800W



PARTS BREAKDOWN - VP3800W

REF #	NAME	PART #	QTY
1	BASE PLATE ASSEMBLY	R3929	1
2	MOTOR ADJUSTMENT ASSEMBLY	R3932	1
3	FRAME ASSEMBLY	R3933	1
4	HANDLE ASSEMBLY	R3934	1
5	THROTTLE LEVER-FRICTION STYLE WITH CABLE	WX2623	1
6	NYLOK LOCKNUT, 10-24	WR370	3
7	SINGLE CONDUIT SNAP CLIP	WR1468	1
8	LOOSE STRING-ON CLIP	WR1469	1
9	HEX HEAD CAP SCREW, 5/16-18 UNC, 2.75" LONG	WR1502	2
10	HANDLE BUMPER	R4575	2
11	HEX HEAD CAP SCREW, 1/2-13 UNC, 3" LONG	WR1459	2
12	LOCKING NYLON NUT, 1/2-13	WR1133	2
13	HANDLE, MOUNT PLATE	WX2817	2
14	NYLOK LOCKNUT, 5/16-18	WR118	9
15	HEX HEAD CAP SCREW 5/16"-18 X 1/2" LONG	WR1458	4
16	LOCKWASHER, 5/16 INCH, REGULAR	WR364	4
17	WASHER FLAT, 5/16	WR236	8
18	BELT GUARD	WL712	1
19	A-SECTION, V-BELT, AX-31 TRI-POWER	WK227	1
20	HEX HEAD CAP SCREW 5/16" - 18 UNC, 2" LONG	WR1396	2
21	HEX HEAD CAP SCREW 5/16" - 18 UNC, 1" LONG	WR1007	1
22	NYLON SPACER - 1/2" OD X 3/16" LONG, #10 SCREW SIZE	WL898	1
23	BUTTON HEAD CAP SCREW - 10-24 X 1.5" LONG	WR1495	1
24	BUTTON HEAD CAP SCREW - 10-24 X 1.25" LONG	WR1498	2
25	WATER TANK OPTION	29543	1

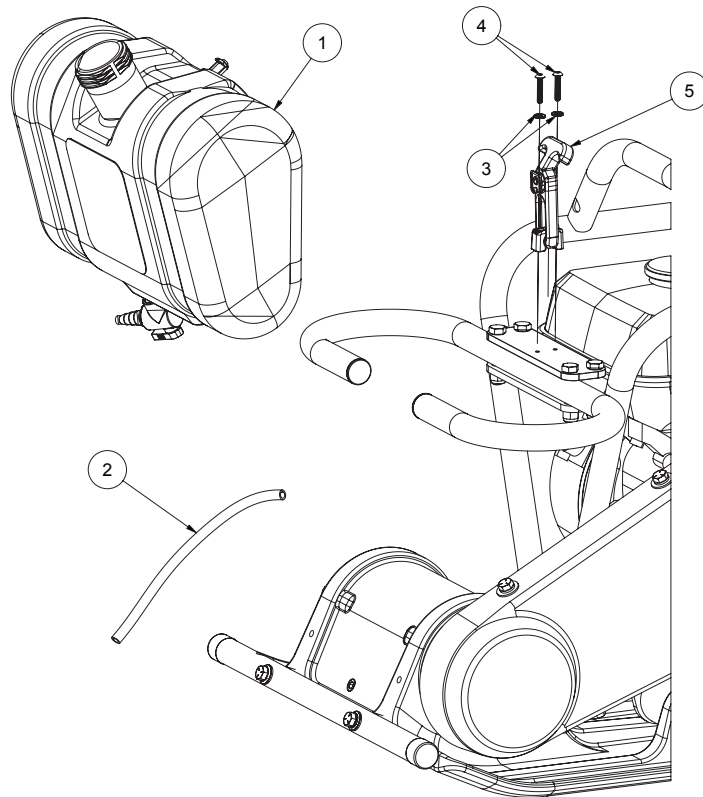
PARTS BREAKDOWN - WATER TANK KIT



WATER TANK KIT EDI# 32362 INCLUDES:

REF #	NAME	PART #	QTY
1	WASHER, LOCK, INCH, REGULAR 5/16"	WR364	2
2	WATER TANK W/STRAP STUD-VP3800W	R4436	1
3	WATER TANK BRACKET-VP3800W-PC-BLUE	R4435	1
4	WATER LINE	R4437	1
5	HHCS, 3/8-16 UNC, 2" LONG	WR265	4
6	HEX NUT, NYLOCK, 3/8-16 UNC	WR263	4
7	WASHER, LOCK, INCH, EXTRA DUTY #10	WR1165	3
8	HEX HEAD CAP SCREW 5/16" - 18. UNC X 2.0"	WR1396	2
9	WATER TANK MOUNTING PLATE	R4364	2
10	WATER BAR	R4434	1
11	BHCS 10-24 X 1" LONG, ZINC PLATED	WR1494	2
12	PLASTIC SADDLE WASHER - FOR 1" OD TUBING, 5/16" BOLT	WL899	2
13	WATER TANK DRAW LATCH-VP3800	WR1555	1
14	SEALING WASHER - 18-8 SS WITH NEOPRENE SEAL	WR1497	2

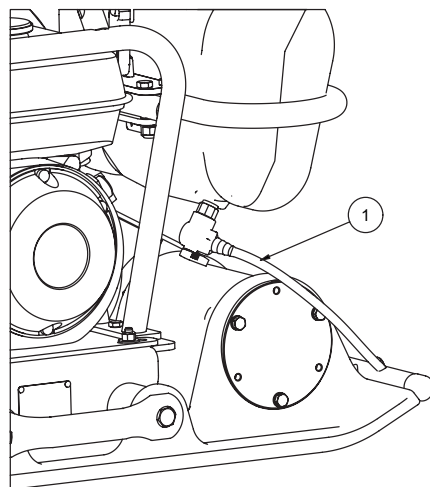
PARTS BREAKDOWN - WATER TANK



WATER TANK KIT EDI# 32363 INCLUDES:

REF #	NAME	PART #	QTY
1	WATER TANK W/STRAP STUD-VP3800W	WL887	1
2	WATER LINE	R4437	1
3	WASHER, LOCK, INCH, EXTRA DUTY #10	WR1165	3
4	BHCS 10-24 X 1" LONG, ZINC PLATED	WR1494	2
5	WATER TANK DRAW LATCH-VP3800	R4436	1

PARTS BREAKDOWN - WATER LINE



WATER LINE KIT EDI# 32364 INCLUDES:

REF #	NAME	PART #	QTY
1	WATER LINE	R4437	1

WATER TANK OPTION - INSTRUCTIONS



Water tank valve open

1. Fill water tank with clean water
2. Open water tank valve when ready to drip water down baseplate
3. Close water valve when plate compactor is stopped or not in use
4. Vibration of plate compactor will help water drip and disperse across base plate
5. Do not use water in freezing conditions and always empty tank after every use

The water tank can be removed to fill at water source. Simply remove the tank latch and pull the water line from the water bar. Replace when tank is put back into the water tank bracket

TROUBLESHOOTING

ENGINE WON'T START:

1. Check for sufficient fuel.
2. Check oil level. Engines have an "Oil Alert" feature, which prevents them from starting when the oil level is low.
3. Was engine choked when starting?
4. Is engine flooded?
5. Check spark plug. (Clean and check gap)
6. If engine still will not start, consult the engine owner's manual or take it to an authorized service center

MACHINE WON'T VIBRATE

1. Check for correct belt tension (make sure belt is not too loose)
2. Check for correct throttle movement

ENGINE KEEPS DYING

1. Check for correct belt tension (make sure belt is not too tight)
2. Check throttle cable, making sure it's correctly connected to carburetor



104 S. 8th Ave., Marshalltown, IA
Phone 800-888-0127 / 641-753-0127
Fax 800-477-6341 / 641-753-6341
www.MARSHALLTOWN.com
WS2732revB



PLACA COMPACTADORA VIBRATORIA

N.º de parte VP3800 | EDI N.º 28693

N.º de parte VP3800W | EDI N.º 29542



104 S. 8th Ave. | Marshalltown, IA
Teléfono 800-888-0127 / 641-753-0127 | Fax 800-477-6341 / 641-753-6341
www.MARSHALLTOWN.com
WS2732revB

CONTENIDO

Introducción.....	2
Precauciones de seguridad	3
Calcomanías de seguridad.....	4
Garantía	4
Especificaciones.....	5
Datos técnicos - Motor	6
Piezas minoristas sugeridas	6
Componentes comunes	7
Comprobaciones previas a la operación	8
Controles y accesorios	9
Operación.....	10
Mantenimiento	10-11
Descripción de las piezas	12-25
Opción de tanque de agua	26-29
Resolución de problemas.....	30

INTRODUCCIÓN

Felicidades por su compra de una placa compactadora vibratoria MARSHALLTOWN. MARSHALLTOWN se enorgullece de producir herramientas y equipos de construcción de la más alta calidad para el profesional y ha aplicado los mismos principios de investigación, diseño y producción a estas placas compactadoras.

Estas potentes máquinas están diseñadas para compactar materiales de relleno granulares y asfalto. El VP3800 es líder en su clase tanto en fuerza centrífuga como en velocidad de operación. Con 3,800 libras de fuerza centrífuga, usted puede esperar una base bien compactada mientras recorre más de 100 pies por minuto.

El VP3800W se puede utilizar en todas las aplicaciones, pero su función de tanque de agua es necesaria para evitar que el material se adhiera a la base de la placa durante la pavimentación y el parchado de asfalto. Su tanque de agua se puede llenar en la máquina o se puede quitar y reemplazar fácilmente para llenarlo en una fuente de agua.

Su placa compactadora MARSHALLTOWN tiene una manija plegable primera en su tipo que se bloquea en su lugar durante el transporte y mientras se mueve por la obra. Una argolla de elevación integrada en el armazón permite acceso a la correa de elevación o al montacargas para la colocación en la obra.

Esta máquina se construyó teniendo en cuenta la seguridad del usuario; sin embargo, puede presentar peligros si se opera y repara incorrectamente. Lea detenidamente y siga todas las instrucciones de operación y seguridad que se encuentran en este manual. Asegúrese de que todos los operadores lean este manual antes de utilizar la unidad. El reemplazo de cualquier pieza con cualquier elemento de otro fabricante puede afectar negativamente el desempeño, durabilidad y seguridad del producto. Asegúrese de seguir las precauciones de seguridad. Lea y siga todas las instrucciones de operación y seguridad que se encuentran en este manual del operador. El fabricante se reserva el derecho de hacer cambios o añadir mejoras a su producto en cualquier momento y sin previo aviso u obligación. El fabricante se reserva el derecho a decidir, a su entera discreción y en cualquier momento, descontinuar este producto. La información sobre el funcionamiento y el mantenimiento del motor se puede encontrar en un manual del motor aparte que se suministra con esta placa compactadora. El manual del motor proporciona toda la información necesaria sobre los ajustes, el funcionamiento y el mantenimiento del motor. Si surgiera alguna pregunta relacionada con el funcionamiento o servicio del motor, comuníquese con el centro de reparación de motores más cercano o con el fabricante del motor. Este manual cubre todas las placas compactadoras de MARSHALLTOWN y sus opciones. Para preguntas técnicas o piezas de repuesto, llame a servicio al cliente de MARSHALLTOWN al 1-800-888-0127, 641-753-6341 o visite www.MARSHALLTOWN.com.

PRECAUCIONES DE SEGURIDAD



Hay letreros de seguridad ADVERTENCIA ubicados cerca de riesgos específicos.



Las medidas de seguridad generales se enumeran en los letreros de seguridad PRECAUCIÓN.



Esta nota aparece antes de las advertencias en el texto. Esto significa que el paso que sigue debe llevarse a cabo para evitar la posibilidad de una lesión personal o la muerte. Estas advertencias pretenden ayudar al técnico a evitar cualquier riesgo potencial que se encuentre en los procedimientos de servicio normales. Recomendamos enfáticamente que el lector aproveche la información proporcionada para prevenir lesiones personales o lesiones a otros.

LAS SIGUIENTES PRECAUCIONES SE SUGIEREN PARA AYUDAR A PREVENIR ACCIDENTES. UN OPERADOR CUIDADOSO ES EL MEJOR OPERADOR. LA MAYORÍA DE LOS ACCIDENTES PUEDEN EVITARSE SIGUIENDO CIERTAS PRECAUCIONES. LEA Y TOME LAS SIGUIENTES PRECAUCIONES ANTES DE OPERAR ESTE EQUIPO A FIN DE AYUDAR A PREVENIR ACCIDENTES. EL EQUIPO DEBE SER OPERADO SOLO POR LAS PERSONAS QUE SON RESPONSABLES E INSTRUIDAS PARA HACERLO.

ADVERTENCIA DE LA PROPUESTA 65 DE CALIFORNIA: La operación de este producto o el humo del motor contiene químicos que en el estado de California se reconocen como causantes de cáncer, defectos de nacimiento u otros daños reproductivos.

- Lea todas las instrucciones de operación y mantenimiento antes de operar o dar servicio a la máquina.
- El equipo es seguro siempre que el operador lo utilice con precaución. Preste completa atención a la operación del equipo.
- Mantenga a las personas sin experiencia y no autorizadas lejos de equipo en todo momento.
- Sepa cómo detener el equipo al instante.
- Pruebe todos los interruptores de seguridad antes de cada uso.
- Siempre tenga todas las protecciones y dispositivos de seguridad colocados y en su lugar antes de operar el equipo.



NUNCA opere la placa compactadora sin la cubierta de protección de la correa.



NUNCA suelte la placa compactadora ni se aleje de ella mientras esté en funcionamiento.

- Siempre asegúrese de que las RPM del motor sean bajas y que el embrague no esté activado cuando el motor esté en ralentí durante el calentamiento.
- Siempre asegúrese de que el motor esté parado con el interruptor en la posición "APAGADO" antes de realizar cualquier ajuste o poner las manos o herramientas cerca de la placa compactadora.
- Siempre asegúrese de que el motor esté apagado cuando haga el servicio o cuando no lo use.
- Mantenga la placa compactadora en buenas condiciones. Las piezas sueltas o dañadas son peligrosas.
- Evite usar ropa holgada que pudiera ser atrapada por las piezas móviles.

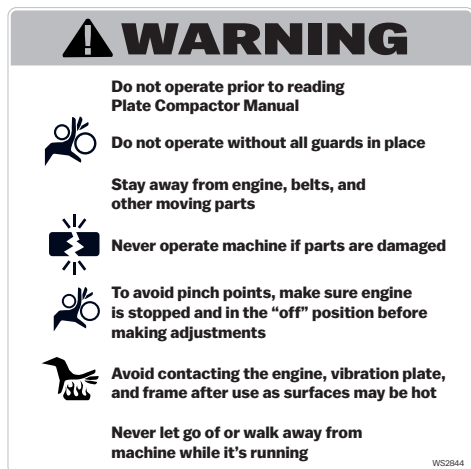


Mantenga las manos y los pies lejos de las piezas móviles.

- Siempre deje suficiente tiempo para que la placa compactadora se enfríe antes de realizar cualquier ajuste.
- No fume mientras reabastece el combustible del motor. Asegúrese de que el motor esté en la posición "apagado" y deje que se enfríe antes de reabastecer.
- No derrame combustible.
- NUNCA opere la placa compactadora en áreas confinadas sin suficiente ventilación.
- Mantenga todas las etiquetas de advertencia, precaución e instrucciones de seguridad en buenas condiciones. Reemplace las etiquetas faltantes, dañadas o ilegibles.
- NO OPERE esta placa compactadora bajo la influencia de alcohol o mientras toma medicamentos que afecten sus reacciones.
- Nunca se siente ni se suba a la placa compactadora.
- Siempre fije adecuadamente la máquina antes de transportarla.
- Siempre siga los programas de mantenimiento recomendados.
- Use piezas autorizadas de fábrica para repuestos.
- Nunca intente levantar la unidad usted mismo.
- Use anteojos de seguridad y protección auditiva mientras opera la placa compactadora.
- Use ropa de protección apropiada mientras opera la placa compactadora, incluidas la protección de ojos y oídos, y vestimenta adecuada.
- Despeje el área de trabajo alrededor de la máquina a fin de evitar tropiezos o caídas sobre la placa compactadora.
- No opere la placa compactadora en pendientes extremas.

CALCOMANÍAS DE SEGURIDAD

Si las calcomanías de seguridad están dañadas, puede reemplazarlas comunicándose con servicio al cliente.



WS2844



WS2845

MARSHALLTOWN

WS2842

VP3800

WS2843

VP3800W

WS2853



WS2898

GARANTÍA DE 3 AÑOS DE LA PLACA COMPACTADORA

Este producto está garantizado solo al comprador original frente a defectos en material y mano de obra bajo un uso normal por un periodo de 3 años a partir de la fecha de compra, excluyendo el motor. La garantía del motor está limitada a la garantía extendida por el fabricante del motor y cualquier reclamo de garantía relacionado con el motor debe dirigirse al fabricante del motor. La única obligación de MARSHALLTOWN Company en virtud de esta garantía se limita al reemplazo o reparación del producto o las piezas cubiertas sin cargo que se le entreguen a usted con tarifas terrestres estándar libre a bordo desde su instalación designada si, tras la inspección de MARSHALLTOWN Company, se determina que el producto tiene defectos de materiales o mano de obra. La garantía de MARSHALLTOWN Company para las piezas de repuesto se extenderá durante la duración de la garantía del producto original.

Esta garantía no se aplicará cuando el producto se dañe o deje de funcionar debido a un mal uso, abuso, desgaste normal, negligencia, mantenimiento inadecuado, accidente o daños durante el transporte; si el producto no ha sido operado y mantenido de acuerdo con las instrucciones proporcionadas en el Manual del operador; o cuando el producto ha sido alterado o modificado sin la aprobación de MARSHALLTOWN Company.

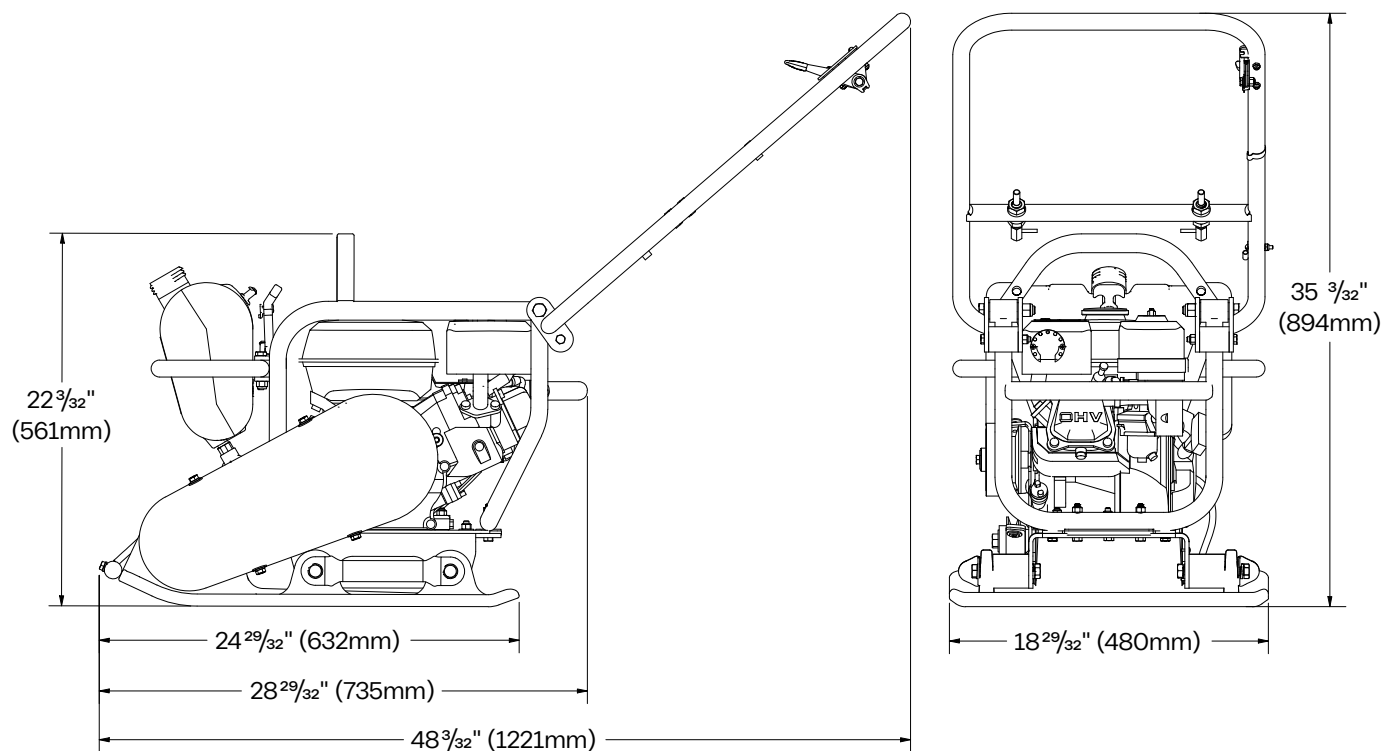
En ninguna circunstancia la Compañía MARSHALLTOWN será responsable por cualquier daño consecuente, especial o punitivo, recolección y entrega de la unidad, cargos de envío entrante a las instalaciones de servicio de la Compañía MARSHALLTOWN, cargos por alquiler de una unidad de reemplazo, pérdida de ingresos u otra pérdida derivada de que el producto no funcione correctamente debido a un defecto en el material o mano de obra cubierto por esta garantía.

No existen garantías que se extiendan más allá de la descripción de esta garantía. Ningún empleado o agente de MARSHALLTOWN Company tiene la autoridad para modificar esta garantía.

Si desea hacer un reclamo de garantía, comuníquese con Servicio al Cliente al 1-800-888-0127 para obtener la autorización de devolución y las instrucciones.

LAS GARANTÍAS LIMITADAS ANTERIORES SON EXCLUSIVAS Y SE OTORGAN Y ACEPTAN EN LUGAR DE CUALQUIER OTRA GARANTÍA EXPRESA O IMPLÍCITA, INCLUYENDO, SIN LIMITACIÓN, GARANTÍAS IMPLÍCITAS DE COMERCIABILIDAD E IDONEIDAD PARA UN PROPÓSITO PARTICULAR, Y TODOS LOS DEMÁS RECURSOS. LA RESPONSABILIDAD TOTAL DE MARSHALLTOWN COMPANY QUE SURJA DEL SUMINISTRO Y EL USO DEL EQUIPO, YA SEA BASADO EN UNA RECLAMACIÓN DE GARANTÍA, NEGLIGENCIA O DE OTRO MODO, NO EXCEDERÁ EL COSTO QUE USTED PAGÓ POR EL EQUIPO.

ESPECIFICACIONES



FUERZA CENTRÍFUGA	3802 LB (1725 KG)
FRECUENCIA DE VIBRACIÓN	5000 VPM (83 HZ)
VELOCIDAD DE DESPLAZAMIENTO	110 FT/MIN (34 M/MIN)
TAMAÑO DE LA PLACA (L X A)	23.7" X 18.9" (602 X 480MM)
ÁREA MÁX DE COMPACTACIÓN	9,733 PIES CUADRADOS/HORA (904 METROS CUADRADOS/HORA)
PESO OPERATIVO	202 LB (92 KG)
CAPACIDAD DEL TANQUE DE AGUA	2 GAL (7.6 L)
ACEITE LUBRICANTE EN LA CAJA DEL EXCITADOR	14.5 OZ (429CC) DE 10W-30 TOTALMENTE SINTÉTICO

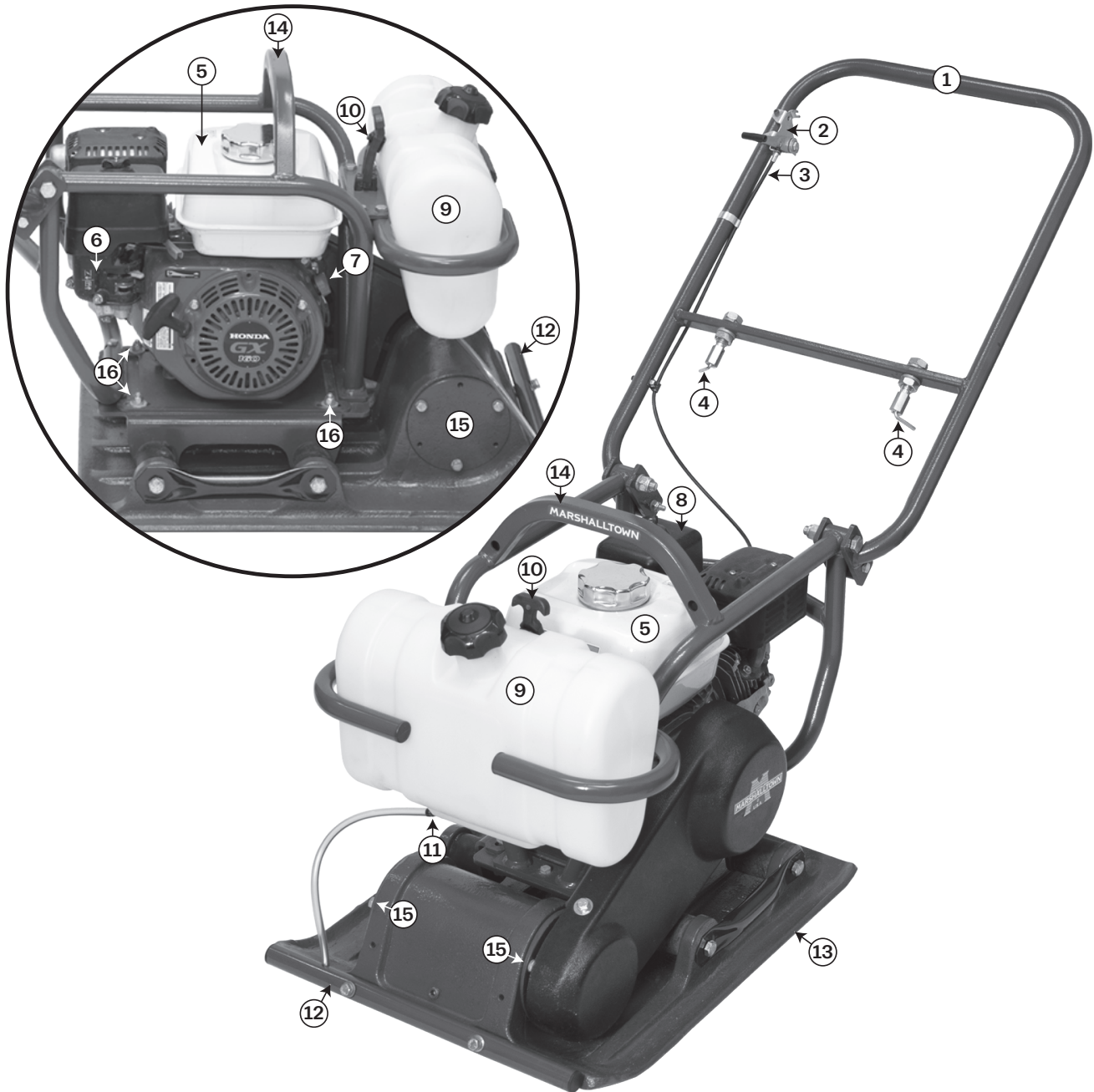
DATOS TÉCNICOS - MOTOR

HONDA	GX160
PESO (LB)	33
DESPLAZAMIENTO CM ³	163
CAPACIDAD DE ACEITE CUARTO EE.UU.	0.61
CAPACIDAD DEL TANQUE DE COMBUSTIBLE GAL. EE.UU.	0.82
COMBUSTIBLE	86 OCTANOS O MÁS
RPM DE VELOCIDAD DE RALENTÍ	1400
RPM DE VELOCIDAD MÁXIMA	3800
BUJÍA	BPR6ES (NGK)
ESPACIO DE LA BUJÍA	0.7 a 0.8 mm
ACEITE DE MOTOR	SAE 10W30
ACEITE EXCITADOR	14.5 OZ DE 10W-30 TOTALMENTE SINTÉTICO

PIEZAS MINORISTAS SUGERIDAS

EDI	NOMBRE
32359	CORREA EN V, AX31 TRI-POWER
32351	KIT DE PALANCA DE ACELERADOR/CABLE
32353	KIT DE MANIJA OPERATIVA
32354	KIT DE CIERRE DE MANIJA RETRACTABLE
32355	JUEGO DE CONEXIÓN/CASQUILLO DE MANIJA
32356	KIT AISLADOR DE VIBRACIONES
32358	KIT DE ASA DE ELEVACIÓN
32360	KIT DE POLEA IMPULSADA
32361	KIT DE EMBRAGUE
32357	KIT DE PROTECCIÓN DE CORREA
32352	CLIPS DEL ACELERADOR
32362	KIT DE TANQUE DE AGUA
32363	TANQUE DE AGUA
32364	LÍNEA DE AGUA
32365	TAPÓN (CERRADO)
32366	TAPÓN (ABIERTO)

COMPONENTES COMUNES



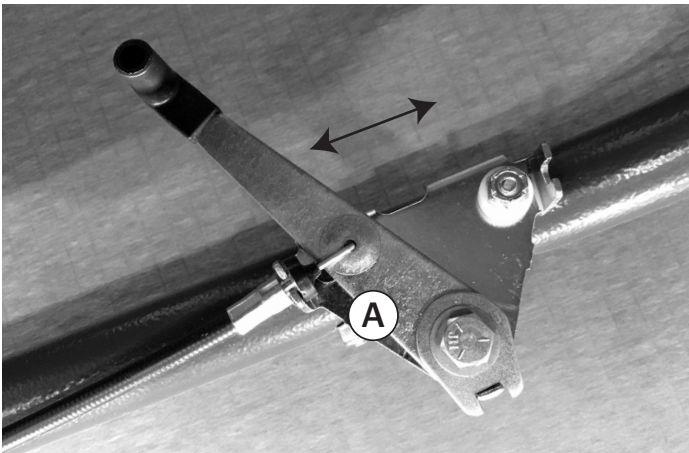
N.º de REF	NOMBRE	N.º de REF	NOMBRE
1	MANIJA	9	TANQUE DE AGUA (si corresponde)
2	PALANCA DE ACELERACIÓN	10	CORREA DEL TANQUE DE AGUA (si corresponde)
3	CABLE DEL ACELERADOR	11	VÁLVULA DE AGUA (si corresponde)
4	SEGUROS DE MANIJA	12	BARRA DE GOTEO (si corresponde)
5	TANQUE DE GASOLINA	13	PLACA BASE
6	PALANCA DE VÁLVULA DE COMBUSTIBLE Y ESTRANGULADOR	14	ARGOLLA DE ELEVACIÓN
7	INTERRUPTOR DE ENCENDIDO/APAGADO	15	CARCASA DEL COJINETE
8	FILTRO DE AIRE	16	TUERCAS DE MONTAJE DEL MOTOR

REVISIONES PREVIAS A LA OPERACIÓN

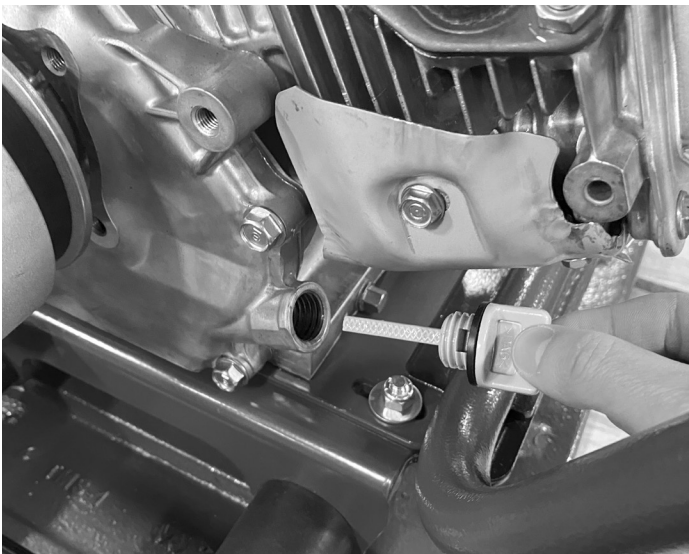
Después de retirar la placa compactadora de la tarima y el embalaje, no es necesario ensamblar nada.

El operador debe estar familiarizado con la ubicación y el funcionamiento de todos los controles. En un área segura y bien ventilada, realice lo siguiente:

1. Revise toda la máquina para ver si faltan tornillos o están sueltos. Comuníquese con el Servicio de atención al Cliente de MARSHALLTOWN al 800-888-0127 si falta alguna pieza.
2. Revise el filtro de combustible e inspeccione el filtro de aire.
3. La placa compactadora viene llena de aceite excitador, por lo que no es necesario verificar el nivel de aceite. Consulte el Mantenimiento programado para conocer el programa de reemplazo de aceite (página 11).



4. El cable/palanca del acelerador viene conectado al mango (A) y al carburador (B). Mueva la palanca del acelerador y observe el movimiento del carburador para asegurar un funcionamiento correcto.

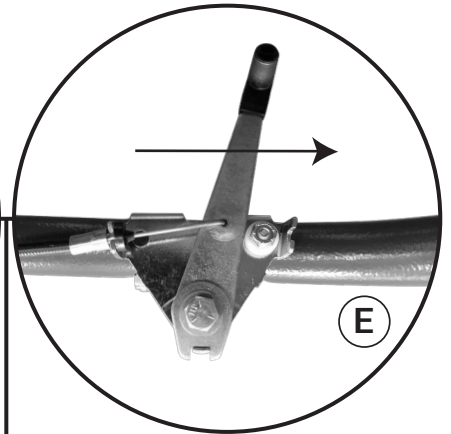
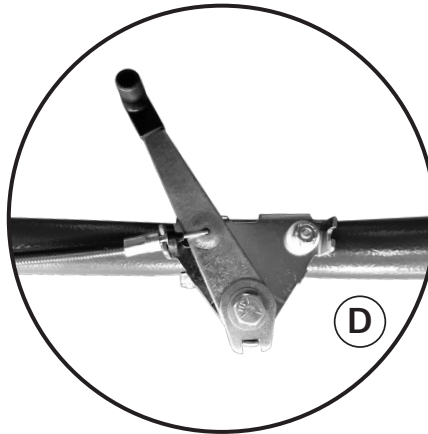
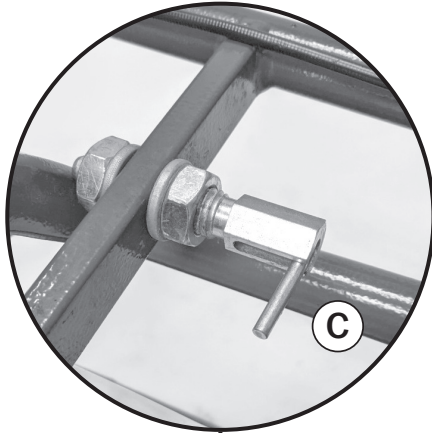


5. La placa compactadora se envía con aceite de motor, pero verifique antes de arrancar.



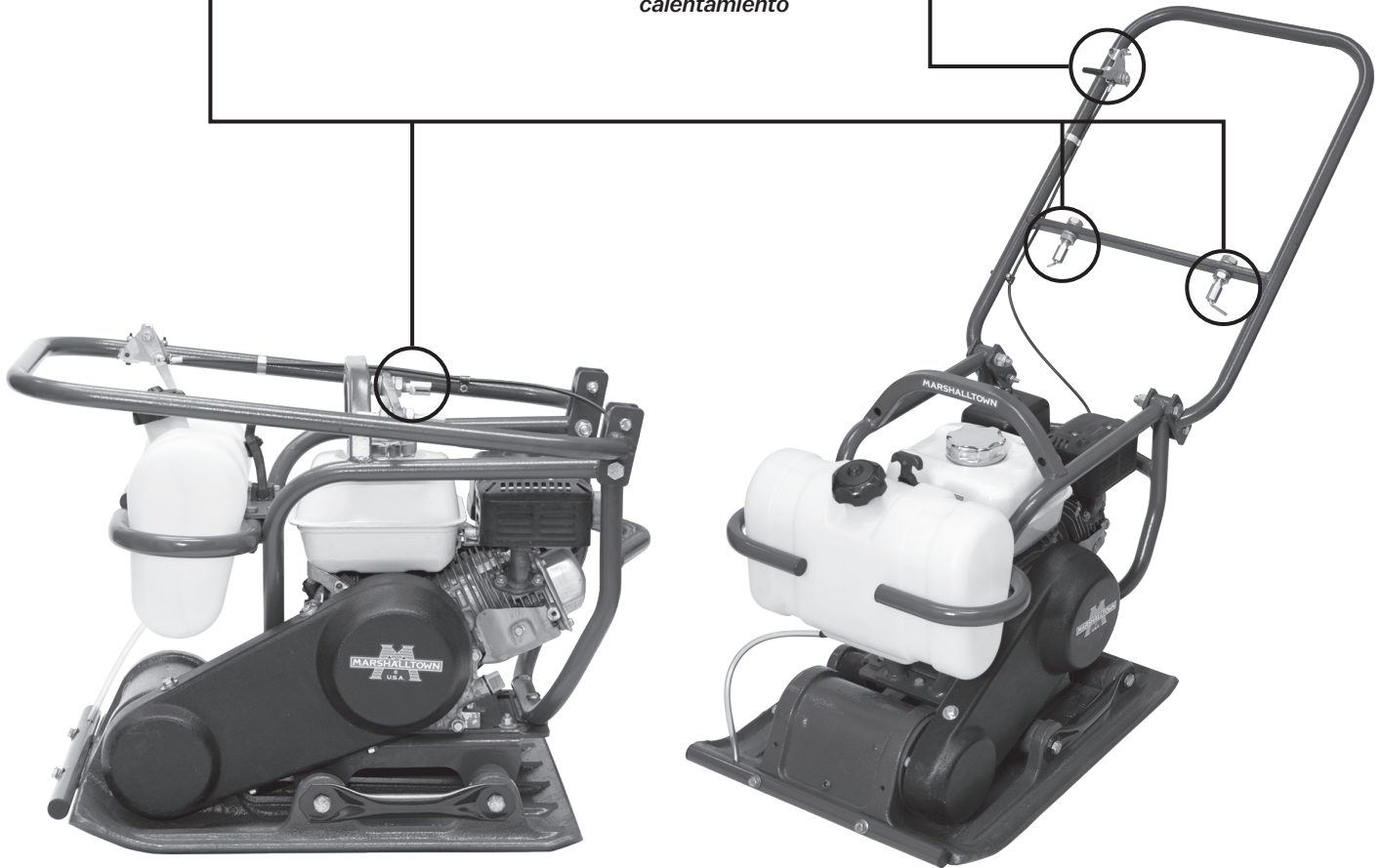
6. Se puede comprobar la tensión correcta de la correa aplicando una presión moderada para apretar ambos lados de la correa. Aproximadamente 1" (2.5 cm) de movimiento es la tensión correcta. Afloje la placa de montaje del motor y ajústela para corregir la tensión de la correa. Vuelva a apretar.

CONTROLES Y ACCESORIOS



Acelerador en posición de ralentí durante el calentamiento

Tire hacia atrás para aumentar la aceleración durante el uso



Bloqueo de la manija (C) - La manija puede bloquearse en su lugar durante el almacenamiento y transporte. Siempre desbloquee la manija en la posición de funcionamiento cuando esté en uso.

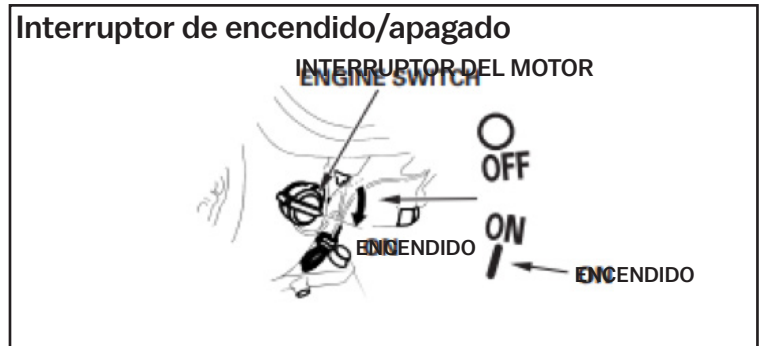
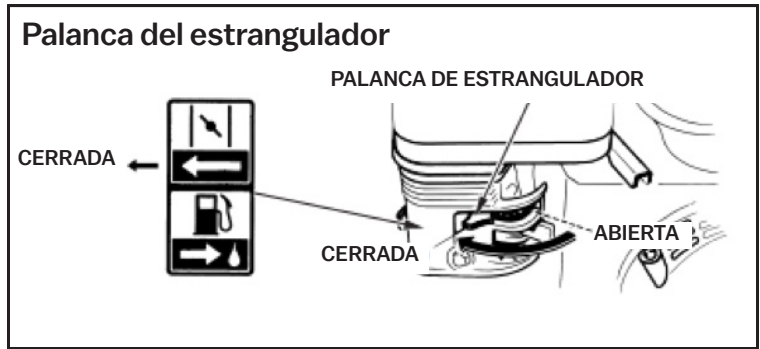
Palanca del acelerador - Al arrancar la compactadora, coloque la palanca del acelerador hacia la parte delantera de la unidad (D). Haga el ralentí en esta posición durante el calentamiento.

Ajuste la palanca del acelerador lejos de la parte delantera (E) de la unidad para acoplar el embrague y operar la placa compactadora.

OPERACIÓN

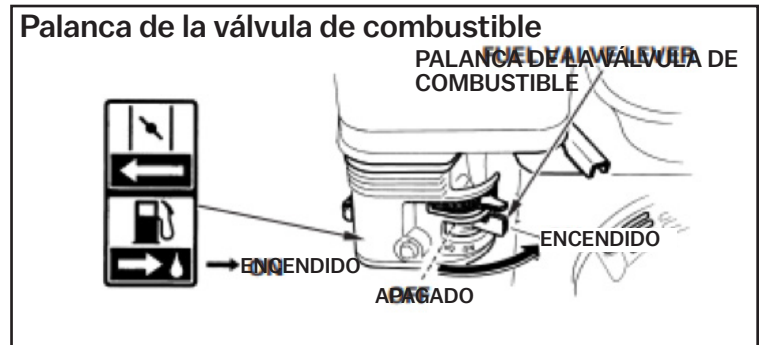
ARRANQUE DEL MOTOR

1. Con el motor frío, mueva la palanca del estrangulador a la posición CERRADO. Para volver a arrancar un motor caliente, deje el estrangulador en ABIERTO.
2. Coloque el interruptor de encendido / apagado en la posición de encendido.
3. Encienda la palanca de la válvula de combustible.
4. Tire ligeramente de la empuñadura de arranque hasta que sienta resistencia y luego tire enérgicamente. Repita el procedimiento hasta que el motor arranque.
5. Si la palanca del estrangulador se movió a la posición CERRADA para arrancar el motor, muévala gradualmente a la posición ABIERTA a medida que el motor se calienta.



REINICIO DEL MOTOR

1. Deje la palanca del estrangulador en la posición ABIERTA.
2. Coloque el interruptor de encendido / apagado en la posición de encendido.
3. Encienda la palanca de la válvula de combustible.
4. Tire ligeramente de la empuñadura de arranque hasta que sienta resistencia y luego tire enérgicamente. Repita el procedimiento hasta que el motor arranque.



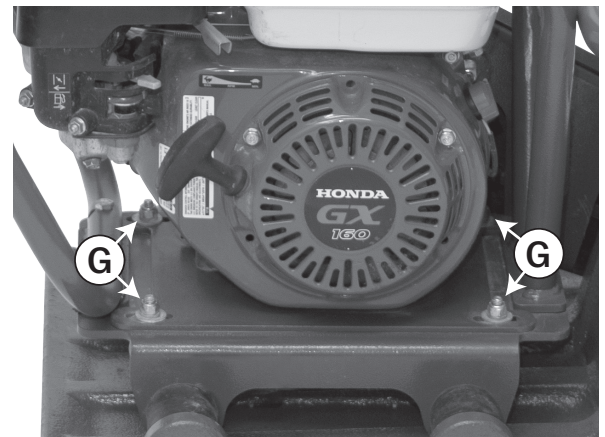
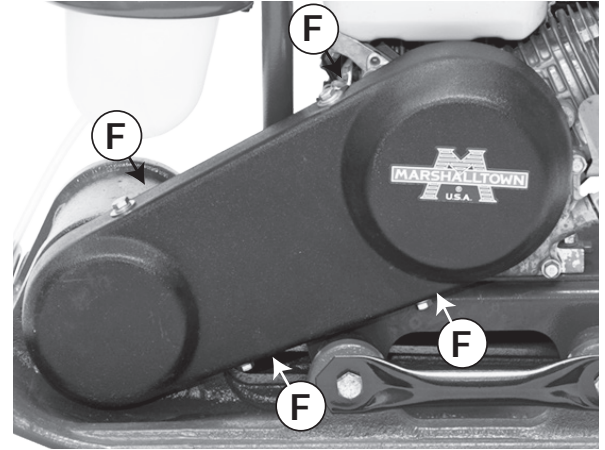
MANTENIMIENTO

REVISE EL NIVEL DE ACEITE	ANTES DE CADA USO
CAMBIE EL ACEITE DEL MOTOR	PRIMER MES O 10 HORAS - 6 MESES O 50 HORAS DESPUÉS
CAMBIE EL ACEITE DEL EXCITADOR	CADA 200 HORAS O CADA 3 AÑOS
VERIFIQUE EL NIVEL DE COMBUSTIBLE	ANTES DE CADA USO
REVISE EL FILTRO DE AIRE	ANTES DE CADA USO
REVISE LA CORREA	CADA 25 HORAS O CADA 3 MESES
CAMBIE LA CORREA	SEGÚN SEA NECESARIO
REVISE EL ACELERADOR	ANTES DE CADA USO
REEMPLACE EL FILTRO DE ACEITE	CADA 25 HORAS O CADA 3 MESES
BUJÍA - REVISE Y AJUSTE	CADA 100 HORAS O 1 AÑO
BUJÍA - REEMPLACE	CADA 300 HORAS O 2 AÑOS
REVISE LAS TUERCAS Y LOS PERNOS	ANTES DE CADA USO

MANTENIMIENTO

CAMBIE LA CORREA

1. Quite los 4 tornillos de cabeza hexagonal (F) que sujetan el protector de la hoja en su lugar.
2. Afloje las 4 tuercas de la placa de montaje del motor (G).
3. Deslice el motor y la placa de montaje hacia adelante para poder quitar la correa.
4. Instale una correa nueva.
5. Tire UNIFORMEMENTE de la placa de montaje hacia atrás para apretar la correa en las poleas. Es aceptable aproximadamente 1" de holgura en la correa.
6. Apriete las tuercas de la placa de montaje.
7. Cambie el protector de la correa.



CAMBIE EL ACEITE DEL EXCITADOR

1. Cuando cargue el aceite del excitador, quite el tapón de drenaje ubicado en la parte inferior derecha de la carcasa del excitador (H) y simplemente incline la compactadora para drenar el aceite. Tenga en cuenta que el aceite se drenará más fácilmente mientras está caliente. Recuerde usar solo aceite de motor 10W30 totalmente sintético cuando reemplace el aceite del excitador.

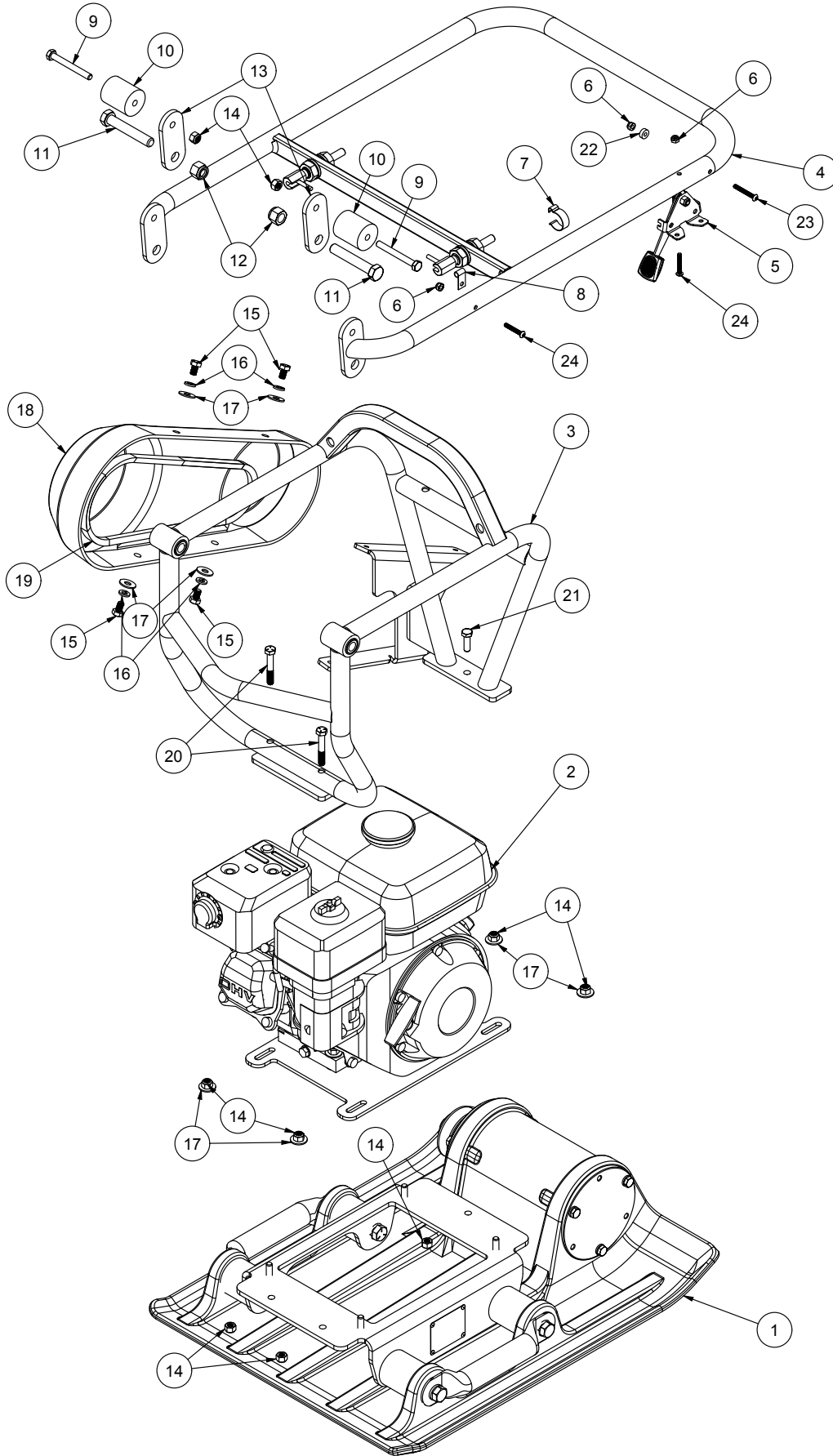


ALMACENAMIENTO DE LA PLACA COMPACTADORA

Para almacenar la placa compactadora durante más de 30 días, se requiere lo siguiente:

1. Drene completamente el tanque de combustible o agregue STA-BIL al combustible.
2. Haga funcionar el motor hasta que el combustible se haya consumido por completo.
3. Drene completamente el aceite del cárter del motor y siga los procedimientos descritos en el Manual del propietario del motor HONDA para el almacenamiento del motor.
4. Drene completamente el aceite hidráulico de la compactadora de la caja vibratoria.
5. Limpie toda la placa compactadora, especialmente la placa inferior, eliminando toda la suciedad y materiales extraños.
6. Cubra la placa compactadora y el motor con una cubierta de plástico o equivalente y guárdelos en un lugar limpio y seco.

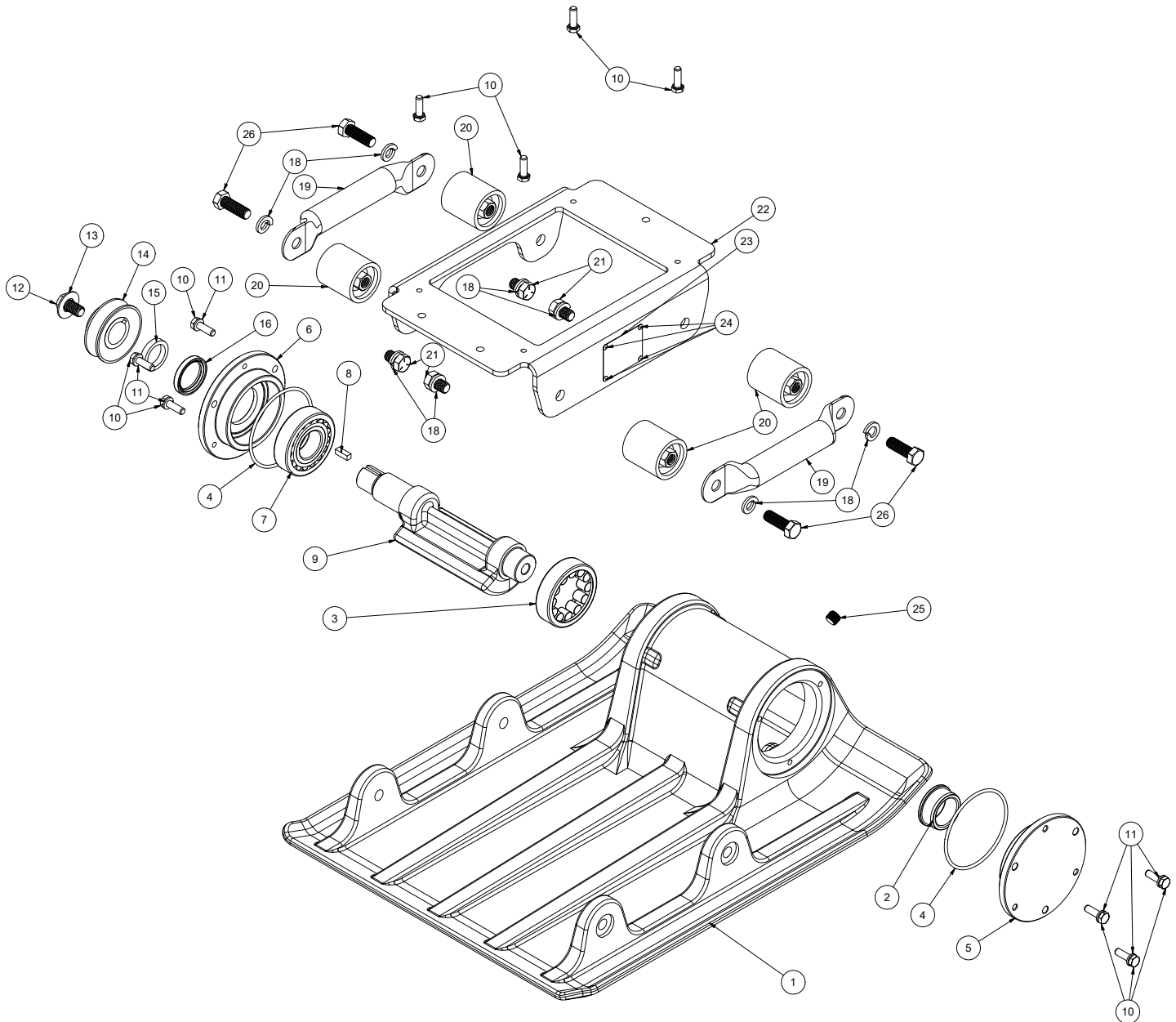
DESCRIPCIÓN DE LAS PIEZAS - VP3800



DESCRIPCIÓN DE LAS PIEZAS - VP3800

N.º de REF	NOMBRE	N.º DE PARTE	CANT.
1	ENSAMBLE DE PLACA BASE	R3929	1
2	CONJUNTO DE AJUSTE DEL MOTOR	R3932	1
3	CONJUNTO DE ARMAZÓN	R3933	1
4	CONJUNTO DE MANIJA	R3934	1
5	ACELERADOR DE ESTILO DE FRICCIÓN DE PALANCA CON CABLE	WX2623	1
6	CONTRATUERCA NYLOK, 10-24	WR370	3
7	CLIP DE CONDUCTO ÚNICO	WR1468	1
8	CLIP DE CUERDA SUELTA	WR1469	1
9	TORNILLO DE CABEZA HEXAGONAL , 5/16-18 UNC, 2.75" LARGO	WR1502	2
10	PARACHOQUES DE MANIJA	R5875	2
11	TORNILLO DE CABEZA HEXAGONAL , 1/2-13 UNC, 3" LARGO	WR1459	2
12	CONTRATUERCA DE NYLON, 1/2-13	WR1133	2
13	MANIJA, PLACA DE MONTAJE	WX2817	2
14	CONTRATUERCA NYLOK, 5/16-18	WR118	9
15	TORNILLO DE CABEZA HEXAGONAL 5/16"-18 X 1/2" LARGO	WR1458	4
16	ARANDELA DE SEGURIDAD, 5/16 PULGADAS, REGULAR	WR364	4
17	ARANDELA PLANA, 5/16	WR236	8
18	PROTECTOR DE LA CORREA	WL712	1
19	SECCIÓN A, CORREA EN V, AX-31 TRI-POWER	WK227	1
20	TORNILLO DE CABEZA HEXAGONAL 5/16 - 18 UNC, 2 in. DE LARGO	WR1396	2
21	TORNILLO DE CABEZA HEXAGONAL 5/16-18 UNC, 1" LARGO	WR1007	1
22	ESPACIADOR DE NAILON - DIÁM. EXT. DE 1/2" X 3/16" LARGO, TAMAÑO TORNILLO #10	WL898	1
23	TORNILLO DE CABEZA HUECA - 10-24 X 1.5" DE LARGO	WR1495	1
24	TORNILLO DE CABEZA HUECA - 10-24 X 1.25" DE LARGO	WR1498	2

DESCRIPCIÓN DE LAS PIEZAS - PLACA BASE

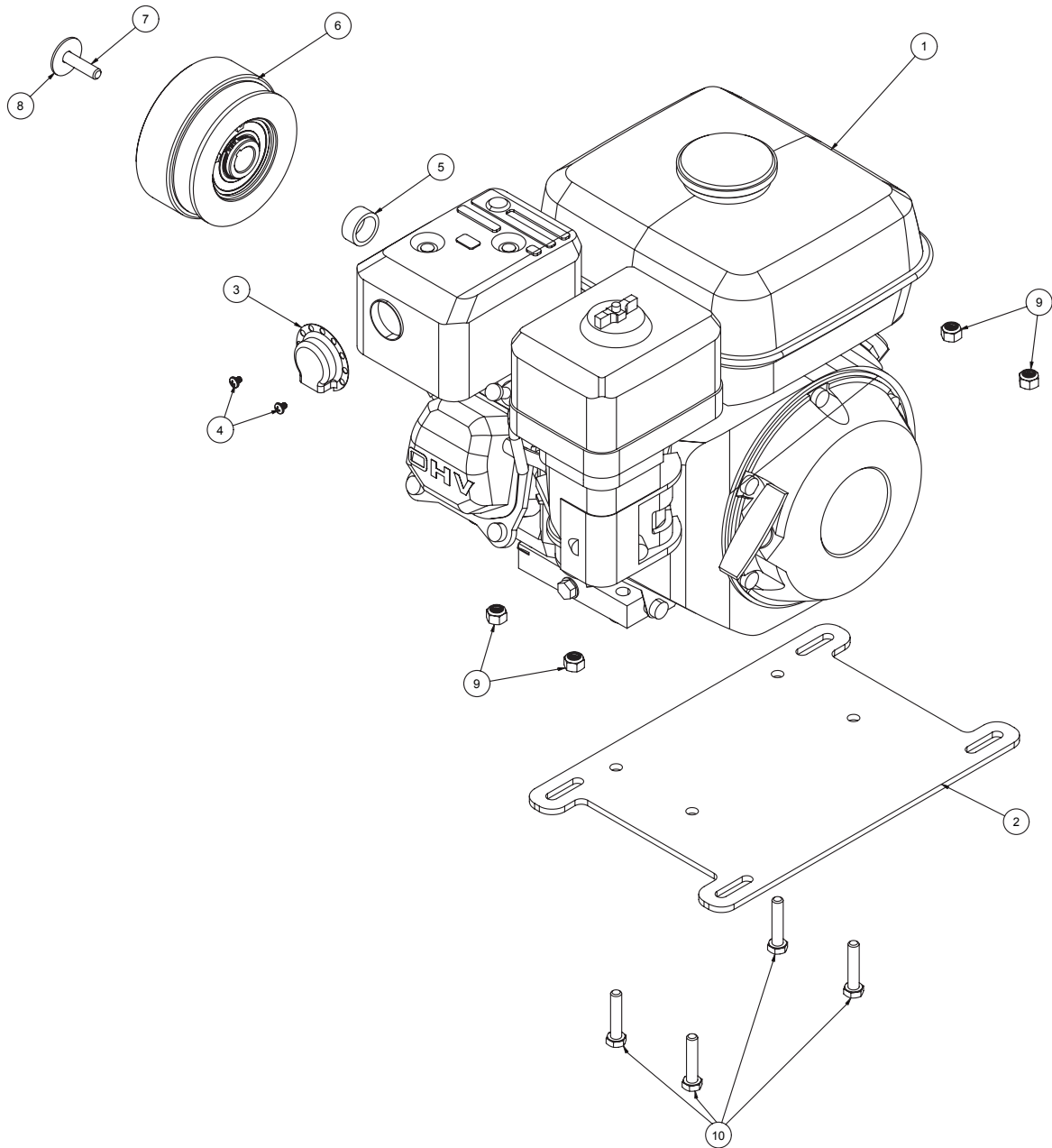


N.º de REF	NOMBRE	N.º DE PARTE	CANT.
1	PLACA BASE, MAQUINADA	R4515	1
2	COJINETE DE RODILLOS CILÍNDRICOS (PISTA INTERIOR)	WX2461-IR	1
3	COJINETE DE RODILLOS CILÍNDRICOS (PISTA EXTERIOR)	WX2461	1
4	JUNTA TÓRICA BUNA N, DASH 240	WK224	2
5	TAPÓN , MAQUINADO (CERRADO)	R4424-010	1
6	TAPÓN , MAQUINADO (ABIERTO)	R4423-010	1
7	COJINETE DE RODILLOS ESFÉRICOS	WX2460	1
8	LLAVE DE MÁQUINA DE ACERO 0.25 X 0.25 X 0.75	WR1417	1
9	EJE EXCITADOR, MAQUINADO	R4438	1
10	TORNILLO HEX HD 5/16-18 X 1	WR1007	10

DESCRIPCIÓN DE LAS PIEZAS - PLACA BASE (CONT.)

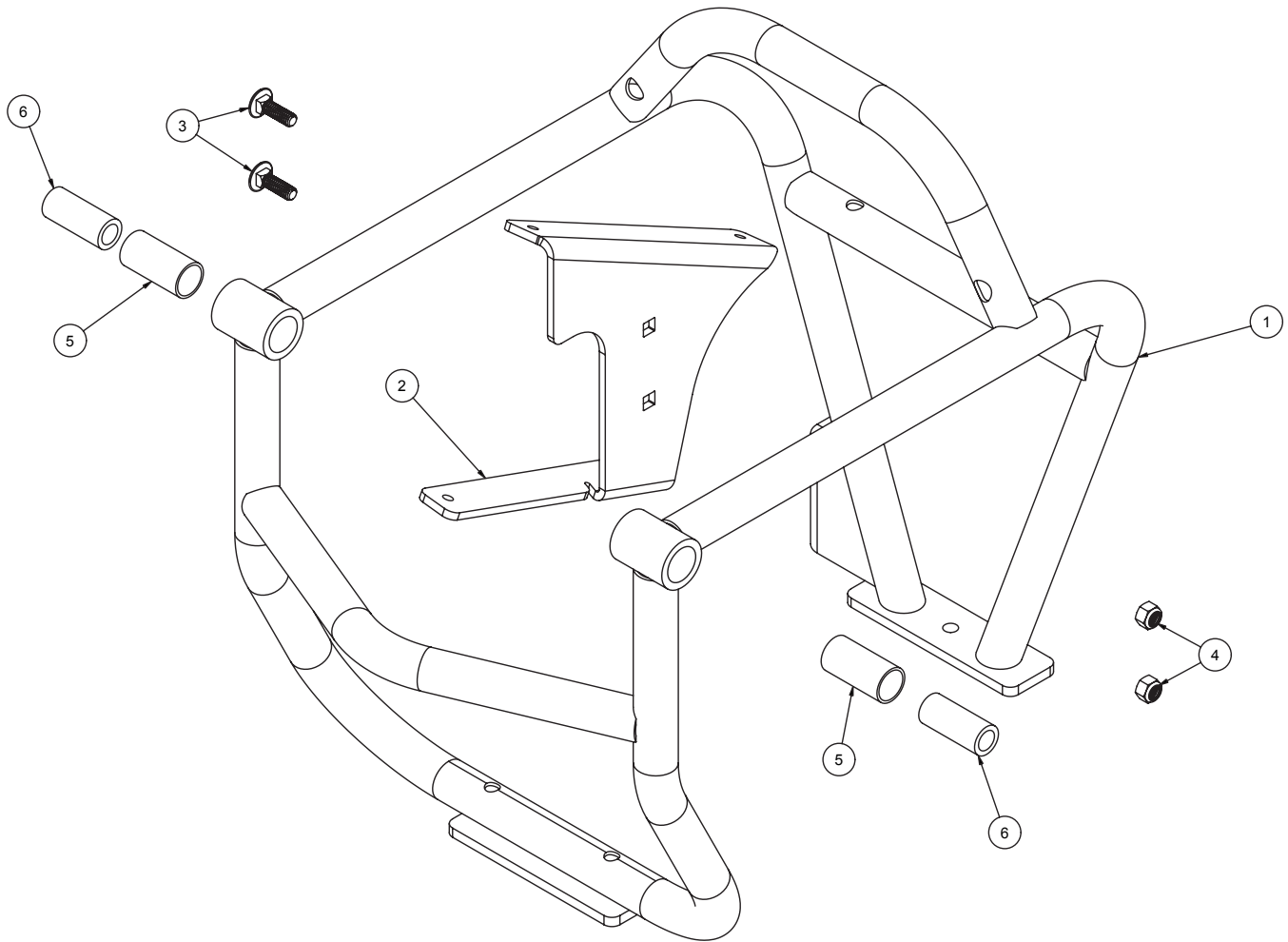
N.º de REF	NOMBRE	N.º DE PARTE	CANT.
11	ARANDELAS DE SEGURIDAD DE RESORTE HELICOIDALES REGULARES (SERIE PULGADA)	WR364	6
12	TORNILLO DE CABEZA HEXAGONAL 1/2"-13 UNC X 0.875"	WR1398	1
13	ARANDELA - 1/2" ZINCADA	WR411	1
14	POLEA DE HIERRO FUNDIDO	WB125	1
15	ESPACIADOR DE ACERO 0.280" LARGO-VP3800	R4524	1
16	SELLO DE EJE RADIAL	WX2463	1
18	ARANDELA DE SEGURIDAD, 1/2" ZINCADA DIVIDIDA	WR256	8
19	MANIJA, INFERIOR	R4516	2
20	MONTAJE TIPO SÁNDWICH CON AMORTIGUACIÓN DE VIBRACIONES	WK222	4
21	TORNILLO DE CABEZA HEXAGONAL 1/2"-13 UNC X 0.75"	WR1455	4
22	PLACA AISLADORA DEL MOTOR	R4517	1
23	MODELO/NÚMERO DE SERIE DE PLACA	WS229	1
24	REMACHE CIEGO 1/8"	WR1462	4
25	TAPÓN DE TUBO NPT	WR1405	1
26	TORNILLOS DE COMPRESIÓN SIN CABEZA 1/2-13 X 1-1/2 Z5	WR1018	4

DESCRIPCIÓN DE LAS PIEZAS - AJUSTE DEL MOTOR



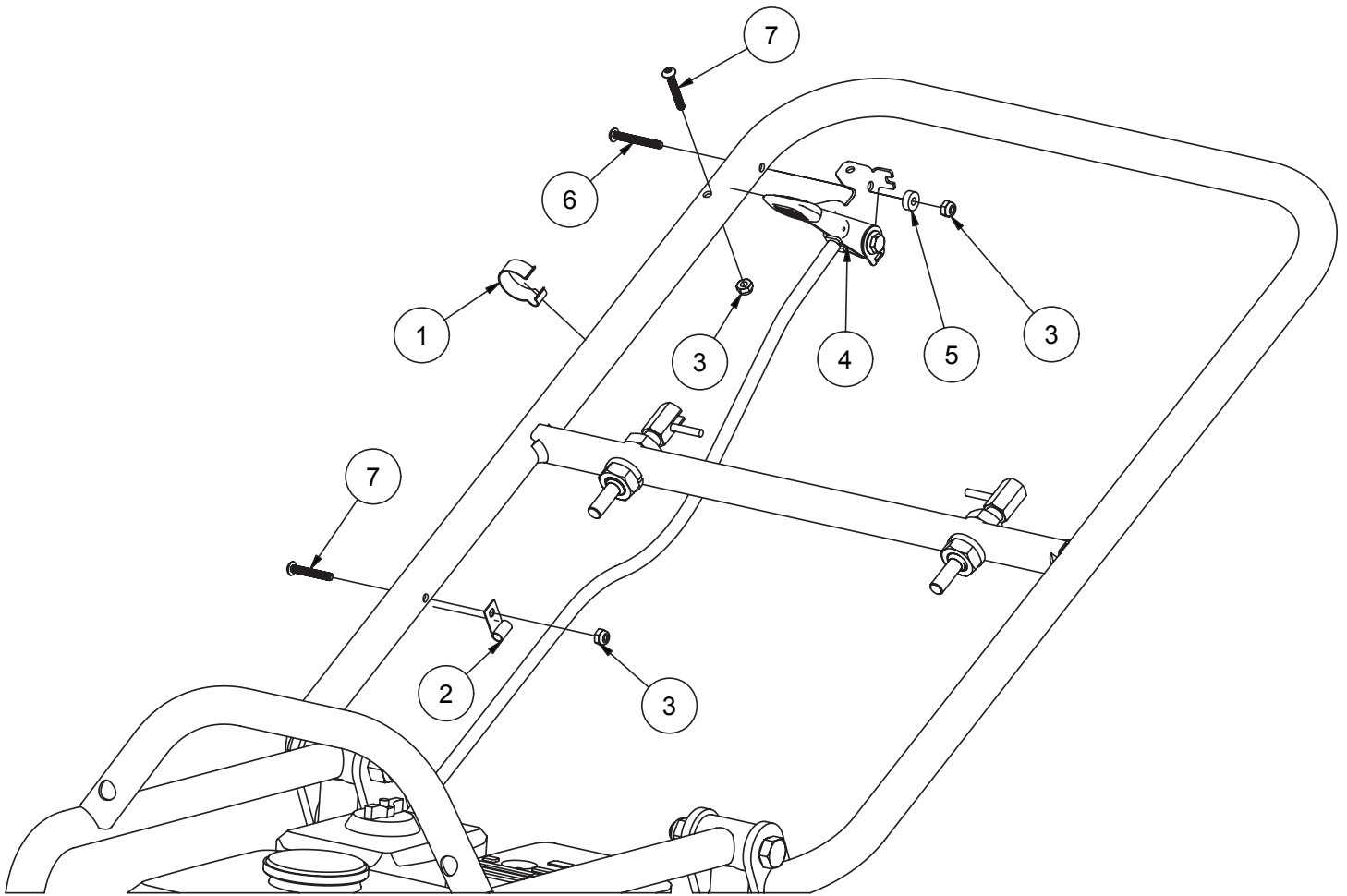
N.º de REF	NOMBRE	N.º DE PARTE	CANT.
1	MOTOR, HONDA GX160	WX2301	1
2	PLACA DE AJUSTE DE MONTAJE DEL MOTOR	R4518	1
3	DEFLECTOR DE ESCAPE HONDA GX160	WX2465	1
4	TORNILLO CABEZA PLANA M4 X 5MM	WR1507	2
5	ESPACIADOR DE ACERO 0.425" LARGO-CP3800	R4535	1
6	CONJUNTO EMBRAGUE	WX2528	1
7	TORNILLOS DE CABEZA HEXAGONAL, 5/16-24 UNF, 1.25" DE LARGO	WR1419	1
8	ARANDELA, ANSI B ANCHO 5/16"	WR1418	1
9	CONTRATUERCA NYLOK, 5/16-18	WR118	4
10	TORNILLOS DE CABEZA HEXAGONAL, 5/16-18 UNC, 1.5" DE LARGO	WR1008	4

DESCRIPCIÓN DE LAS PIEZAS - BASTIDOR



N.º de REF	NOMBRE	N.º DE PARTE	CANT.
1	BASTIDOR	R4519	1
2	PLACA DE MONTAJE DEL PROTECTOR DE CORREA	R4520	1
3	PERNO DE CABEZA DE HONGO DE CUELLO CUADRADO DE ACERO ZINCADO	WR1404	2
4	CONTRATUERCA NYLOK, 5/16-18	WR118	2
5	COJINETE DE MANGA LIGERO DE FUNCIONAMIENTO EN SECO	R4521	2
6	COJINETE DE MANGA EMPOTRADO EN ACEITE	WX2563	2

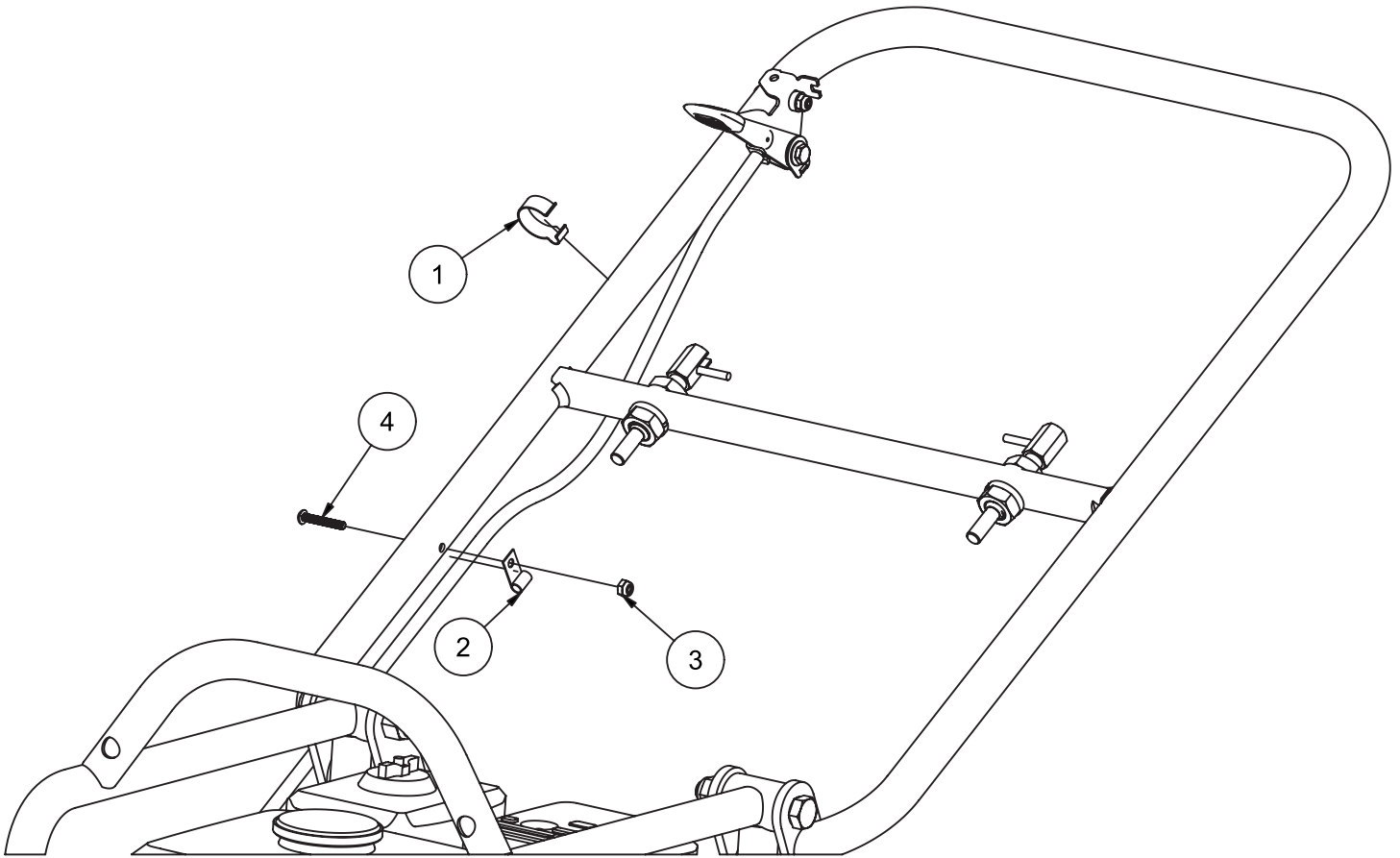
DESCRIPCIÓN DE LAS PIEZAS - PALANCA/CABLE DE ACELERADOR



EL KIT DE PALANCA/CABLE DE ACELERADOR EDI N.º 32351 QUE INCLUYE:

N.º de REF	DESCRIPCIÓN	N.º DE PARTE	CANT.
1	CLIP DE CONDUCTO ÚNICO	WR1468	1
2	CLIP DE CUERDA SUELTA	WR1469	1
3	TUERCA NYLOK N.º 10-24, ESTILO DE BLOQUEO SUPERIOR	WR370	3
4	ACELERADOR DE ESTILO DE FRICCIÓN DE PALANCA CON CABLE	WX2623	1
5	ESPACIADOR DE NAILON - DIÁM. EXT. DE 1/2" X 3/16" LARGO, TAMAÑO TORNILLO #10	WL898	1
6	TORNILLO DE CABEZA HUECA - 10-24 X 1.5" DE LARGO	WR1495	1
7	TORNILLO DE CABEZA HUECA - 10-24 X 1.25" DE LARGO	WR1498	2

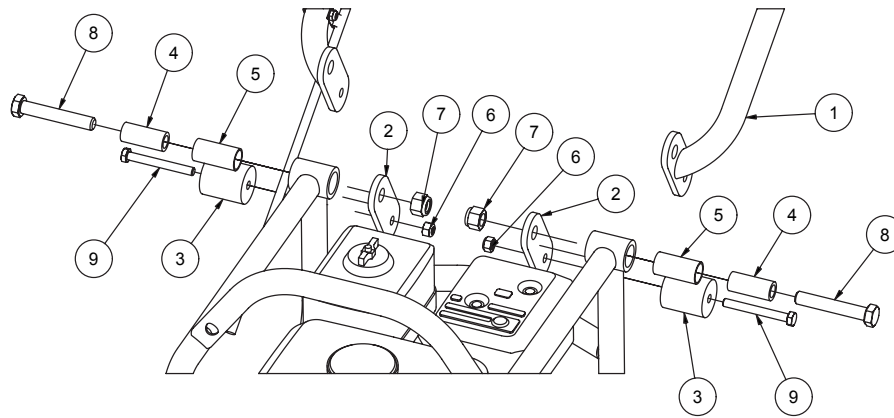
DESCRIPCIÓN DE LAS PIEZAS - CLIP DEL ACELERADOR



EL KIT DE CLIP DE ACELERADOR EDI N.º 32352 INCLUYE:

N.º de REF	DESCRIPCIÓN	N.º DE PARTE	CANTI-DAD
1	CLIP DE CONDUCTO ÚNICO	WR1468	1
2	CLIP DE CUERDA SUELTA	WR1469	1
3	TUERCA NYLOK N.º 10-24, ESTILO DE BLOQUEO SUPERIOR	WR370	1
4	TORNILLO DE CABEZA HUECA - 10-24 X 1.25" LARGO	WR1498	1

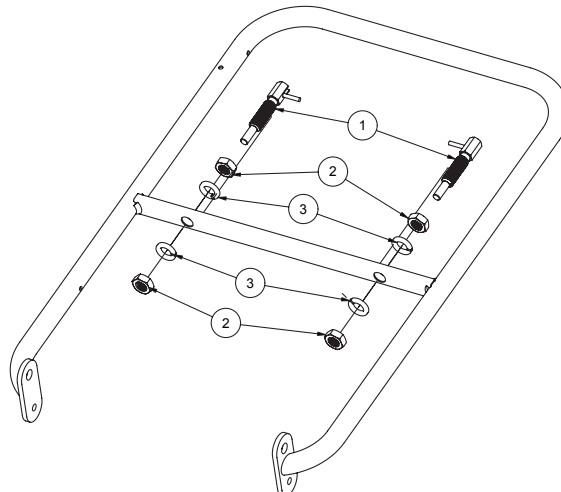
DESCRIPCIÓN DE LAS PIEZAS - MANIJA



EL KIT DE MANIJA EDI N.º 32353 INCLUYE:

N.º de REF	NOMBRE	N.º DE PARTE	CANT.
1	HANDLE-VP3800-PC-BLUE - LC	R4543	1
2	MANIJA, PLACA DE MONTAJE-VP3800-PC-AZUL	R4523	2
3	HANDLE BUMPER-VP3800	R5875	2
4	COJINETE DE MANGA EMPOTRADO EN ACEITE	WX2563	2
5	COJINETE DE MANGA DE USO LIGERO EN SECO-VP3800	R4521	2
6	CONTRATUERCA NYLOK, 5/16-18	WR118	2
7	CONTRATUERCA NYLOK, 1/2-13	WR1133	2
8	TORNILLO DE CABEZA HEXAGONAL 1/2-13 UNC, 3" LARGO	WR1459	2
9	TORNILLO DE CABEZA HEXAGONAL 5/16-18 UNC, 2.75" LARGO	WR1502	2

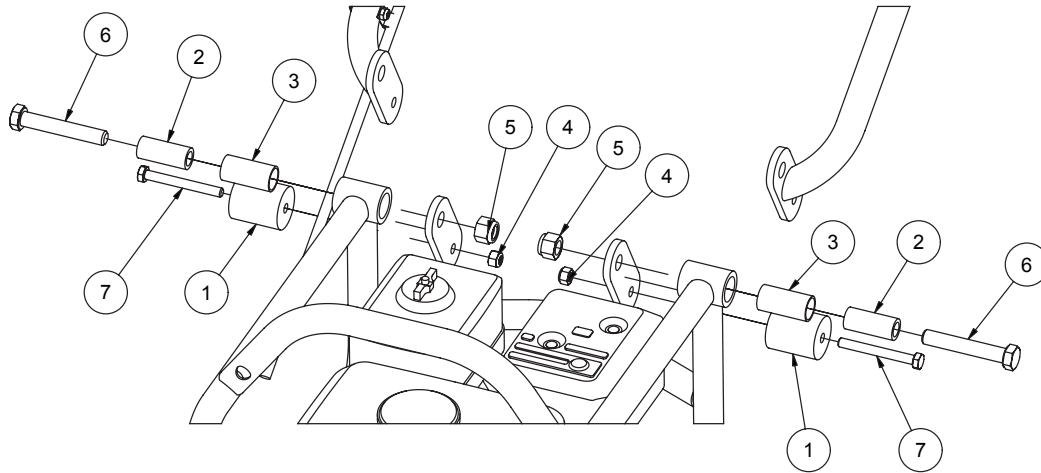
DESCRIPCIÓN DE LAS PIEZAS - PASADOR DE LA MANIJA



EL KIT DE PASADOR DE MANIJA EDI N.º 32354 INCLUYE:

N.º de REF	NOMBRE	N.º DE PARTE	CANT.
1	ÉMBOLO DE RESORTE RETRACTABLE CON MANGO EN L	WX2423	2
2	TUERCA HEXAGONAL, 5/8"-11 UNC	WR1402	4
3	ARANDELA DE SEGURIDAD, PULGADA, REGULAR 5/8"	WR1420	4

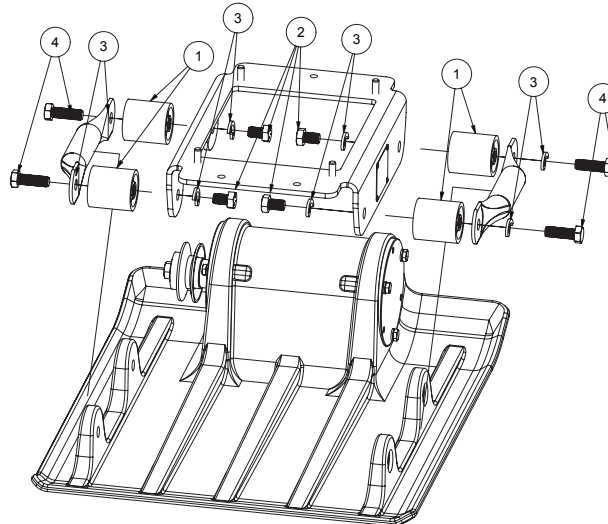
DESCRIPCIÓN DE LAS PIEZAS - CASQUILLO



EL KIT DE CASQUILLO EDI N.º 32355 INCLUYE:

N.º de REF	NOMBRE	N.º DE PARTE	CANT.
1	HANDLE BUMPER-VP3800	R5875	2
2	COJINETE DE MANGA EMPOTRADO EN ACEITE	WX2563	2
3	COJINETE DE MANGA DE USO LIGERO EN SECO-VP3800	R4521	2
4	CONTRATUERCA NYLOK, 5/16-18	WR118	2
5	CONTRATUERCA NYLOK, 1/2-13	WR1133	2
6	TORNILLO DE CABEZA HEXAGONAL 1/2-13 UNC, 3" LARGO	WR1459	2
7	TORNILLO DE CABEZA HEXAGONAL 5/16-18 UNC, 2.75" LARGO	WR1502	2

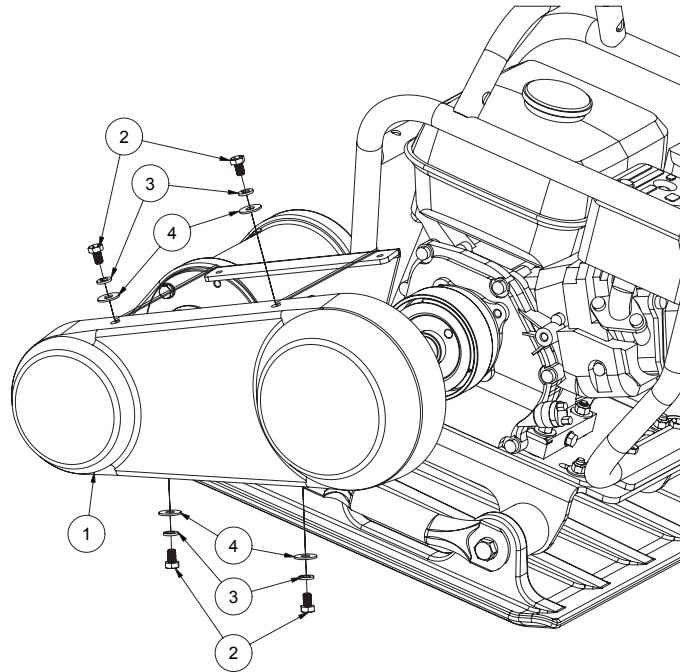
DESCRIPCIÓN DE LAS PIEZAS - MONTAJE DE VIBRACIÓN



EL KIT AISLADOR DE VIBRACIÓN EDI N.º 32356 INCLUYE:

N.º de REF	NOMBRE	N.º DE PARTE	CANT.
1	MONTAJE TIPO SÁNDWICH CON AMORTIGUACIÓN DE VIBRACIONES	WK222	4
2	TORNILLO DE CABEZA HEXAGONAL 1/2"-13 UNC X 0.75"	WR1455	4
3	ARANDELA DE SEGURIDAD, 1/2" ZINCADA DIVIDIDA	WR256	8
4	TORNILLOS DE COMPRESIÓN SIN CABEZA 1/2-13 X 1-1/2 Z5	WR1018	4

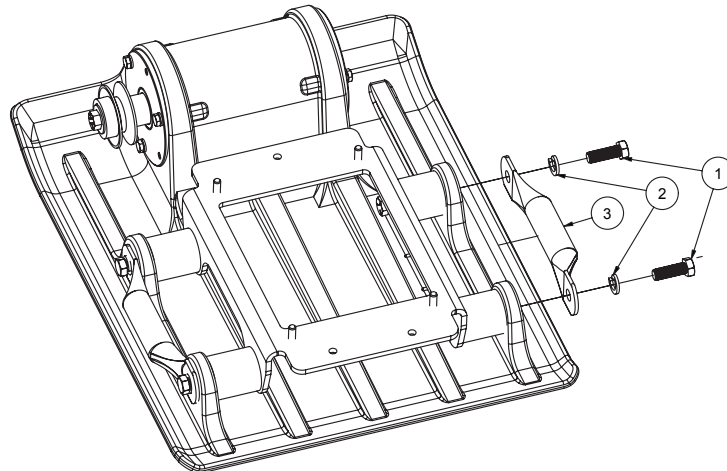
DESCRIPCIÓN DE LAS PIEZAS - PROTECTOR DE CORREA



EL KIT DE PROTECCIÓN DE CORREA EDI N.º 32357 INCLUYE:

N.º de REF	NOMBRE	N.º DE PARTE	CANT.
1	TORNILLO DE CABEZA HEXAGONAL 5/16"-18 X 1/2" DE LARGO, ZINCADO	WR1458	4
2	ARANDELA DE SEGURIDAD 5/16 DIVIDIDA, ZINCADA	WR364	4
3	ARANDELA PLANA, 5/16" ZINCADA USS	WR236	4
4	PROTECTOR DE LA CORREA	WL712	1

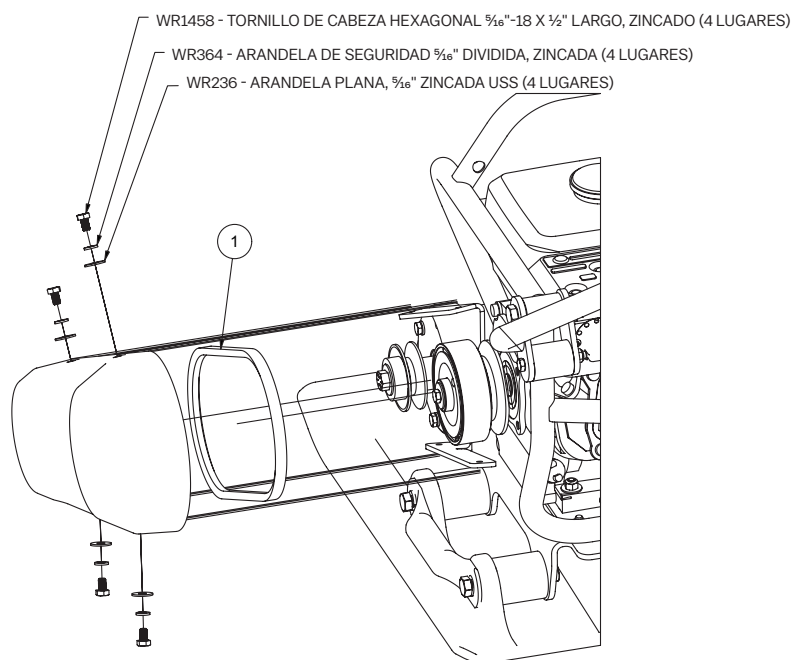
DESCRIPCIÓN DE LAS PIEZAS - KIT DE MANIJA



EL KIT DE MANIJA EDI N.º 32358 INCLUYE:

N.º de REF	NOMBRE	N.º DE PARTE	CANT.
1	TORNILLOS DE COMPRESIÓN SIN CABEZA 1/2-13 X 1-1/2 Z5	WR1018	2
2	ARANDELA DE SEGURIDAD, 1/2" ZINCADA DIVIDIDA	WR256	2
3	MANIJA, LADO DE ELEVACIÓN	R4516	1

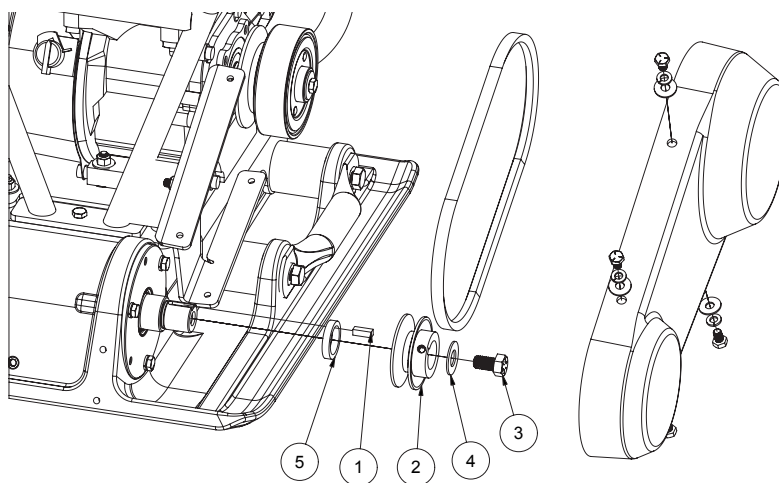
DESCRIPCIÓN DE LAS PIEZAS - KIT DE CORREAS



EL KIT DE CORREAS EDI N.º 32359 INCLUYE:

N.º de REF	NOMBRE	N.º DE PARTE	CANT.
1	SECCIÓN A, CORREA EN V, AX31 TRI-POWER	WK227	1

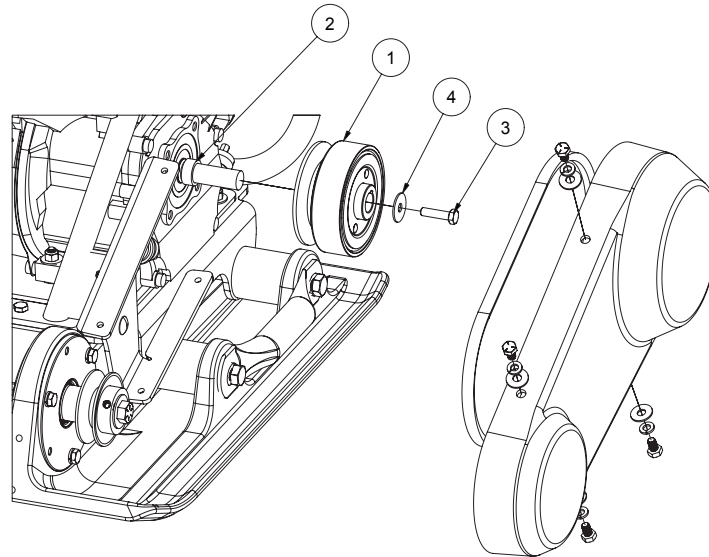
DESCRIPCIÓN DE LAS PIEZAS - POLEA IMPULSADA



EL KIT DE POLEA IMPULSADA EDI N.º 32360 INCLUYE:

N.º de REF	NOMBRE	N.º DE PARTE	CANT.
1	LLAVE DE MÁQUINA DE ACERO 0.25 X 0.25 X 0.75	WR1417	1
2	POLEA DE HIERRO FUNDIDO	WB125	1
3	TORNILLO DE CABEZA HEXAGONAL 1/2"-13 UNC X 0.875"	WR1398	1
4	ARANDELA-1/2" ZINCADA	WR411	1
5	ESPACIADOR DE ACERO 0.280" LARGO-VP3800	R4524	1

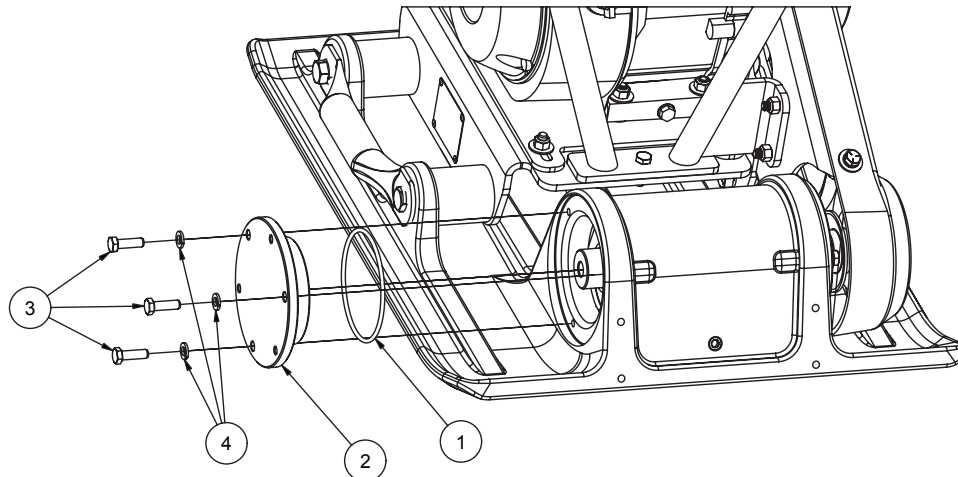
DESCRIPCIÓN DE LAS PIEZAS - EMBRAGUE



EL KIT DE EMBRAGUE EDI N.º 32361 INCLUYE:

N.º de REF	NOMBRE	N.º DE PARTE	CANT.
1	CONJUNTO EMBRAGUE	WX2528	1
2	ESPACIADOR DE ACERO 0.425" LARGO-VP3800	WX2996	1
3	TORNILLOS DE CABEZA HEXAGONAL, 5/16-24 UNF, 1.25 PULG. DE LARGO	WR1419	1
4	ARANDELA, ANSI B ANCHO 5/16"	WR1418	1

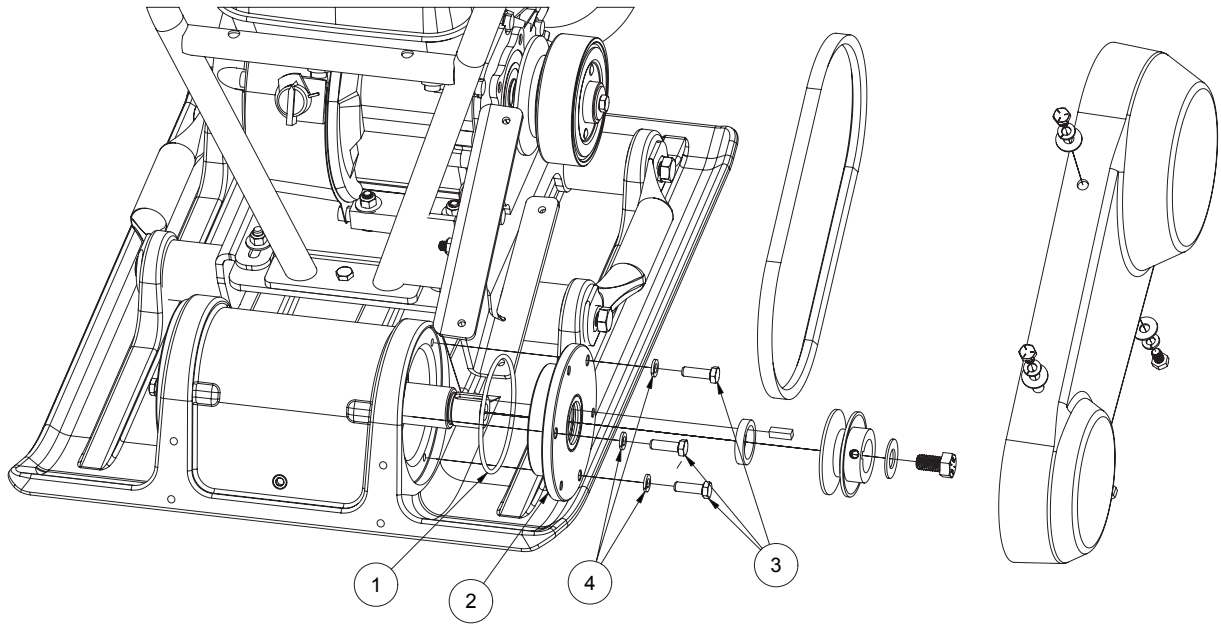
DESCRIPCIÓN DE LAS PIEZAS - TAPÓN (CERRADO)



EL KIT DE TAPÓN (CERRADO) EDI N.º 32365 INCLUYE:

N.º de REF	NOMBRE	N.º DE PARTE	CANT.
1	JUNTA TÓRICA BUNA N, DASH 240	WK224	1
2	CONJUNTO DE TAPÓN-CERRADO-VP3800	R4124	1
3	TORNILLO HEX HD 5/16-18X1	WR1007	3
4	ARANDELAS DE SEGURIDAD DE RESORTE HELICOIDALES REGULARES (SERIE PULGADA)	WR364	3

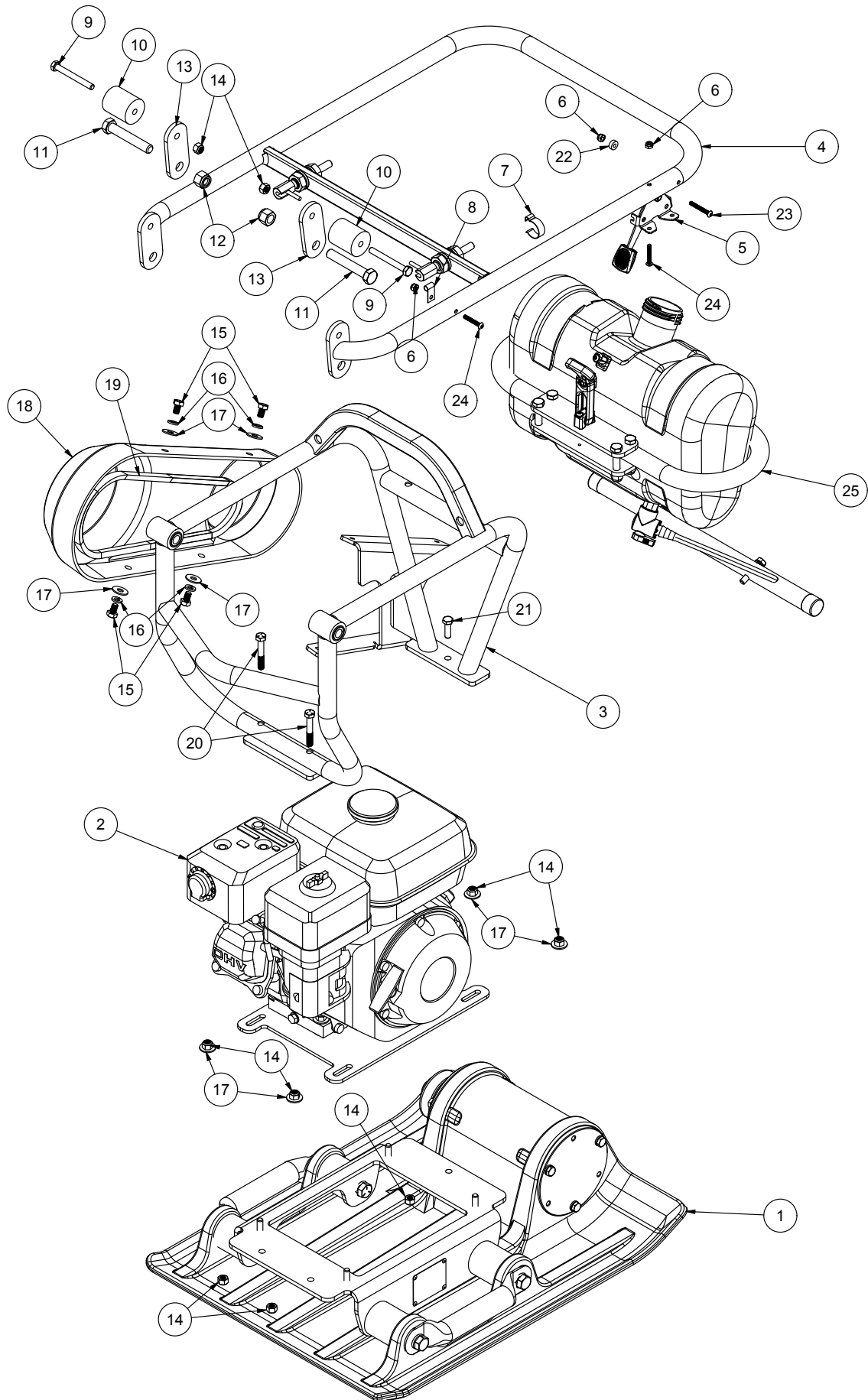
DESCRIPCIÓN DE LAS PIEZAS - TAPÓN (ABIERTO)



EL KIT DE TAPÓN (ABIERTO) EDI N.º 32366 INCLUYE:

N.º de REF	NOMBRE	N.º DE PARTE	CANT.
1	JUNTA TÓRICA BUNA N, DASH 240	WK224	1
2	CONJUNTO DE TAPÓN-ABIERTO-VP3800	R4123	1
3	TORNILLO HEX HD 5/16-18X1	WR1007	3
4	ARANDELAS DE SEGURIDAD DE RESORTE HELICOIDALES REGULARES (SERIE PULGADA)	WR364	3

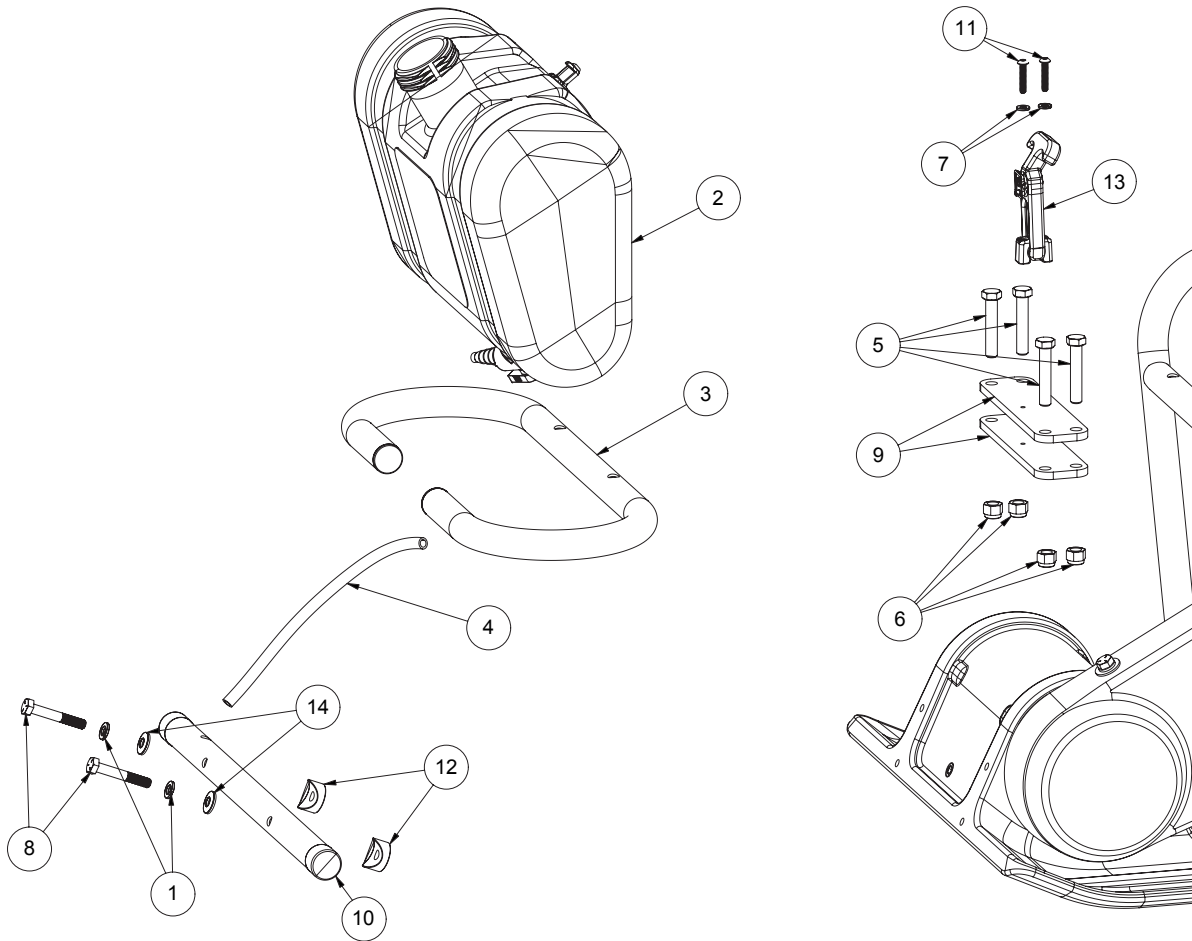
DESCRIPCIÓN DE LAS PIEZAS - VP3800W



DESCRIPCIÓN DE LAS PIEZAS - VP3800W

N.º de REF	NOMBRE	N.º DE PARTE	CANT.
1	ENSAMBLE DE PLACA BASE	R3929	1
2	CONJUNTO DE AJUSTE DEL MOTOR	R3932	1
3	CONJUNTO DE ARMAZÓN	R3933	1
4	CONJUNTO DE MANIJA	R3934	1
5	ACELERADOR DE ESTILO DE FRICCIÓN DE PALANCA CON CABLE	WX2623	1
6	CONTRATUERCA NYLOK, 10-24	WR370	3
7	CLIP DE CONDUCTO ÚNICO	WR1468	1
8	CLIP DE CUERDA SUELTA	WR1469	1
9	TORNILLO DE CABEZA HEXAGONAL , 5/16-18 UNC, 2.75" LARGO	WR1502	2
10	PARACHOQUES DE MANIJA	R4575	2
11	TORNILLO DE CABEZA HEXAGONAL , 1/2-13 UNC, 3" LARGO	WR1459	2
12	CONTRATUERCA DE NYLON, 1/2-13	WR1133	2
13	MANIJA, PLACA DE MONTAJE	WX2817	2
14	CONTRATUERCA NYLOK, 5/16-18	WR118	9
15	TORNILLO DE CABEZA HEXAGONAL 5/16"-18 X 1/2" LARGO	WR1458	4
16	ARANDELA DE SEGURIDAD, 5/16 PULGADAS, REGULAR	WR364	4
17	ARANDELA PLANA, 5/16	WR236	8
18	PROTECTOR DE LA CORREA	WL712	1
19	SECCIÓN A, CORREA EN V, AX-31 TRI-POWER	WK227	1
20	TORNILLO DE CABEZA HEXAGONAL 5/16 - 18 UNC, 2 in. DE LARGO	WR1396	2
21	TORNILLO DE CABEZA HEXAGONAL 5/16 - 18 UNC, 1 in. DE LARGO	WR1007	1
22	ESPACIADOR DE NAILON - DIÁM. EXT. DE 1/2" X 3/16" LARGO, TAMAÑO TORNILLO #10	WL898	1
23	TORNILLO DE CABEZA HUECA - 10-24 X 1.5" DE LARGO	WR1495	1
24	TORNILLO DE CABEZA HUECA - 10-24 X 1.25" DE LARGO	WR1498	2
25	OPCIÓN TANQUE DE AGUA	29543	1

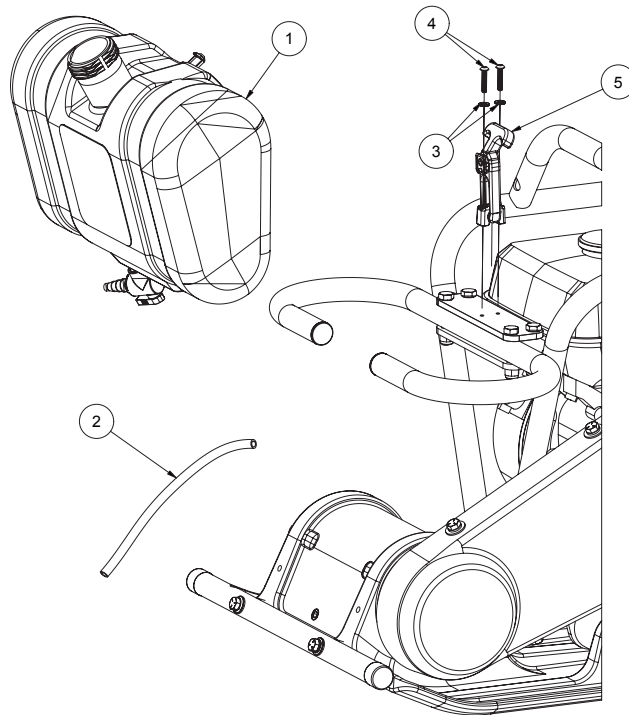
DESCRIPCIÓN DE LAS PIEZAS - KIT DE TANQUE DE AGUA



EL KIT TANQUE DE AGUA EDI N.º 32362 INCLUYE:

N.º de REF	NOMBRE	N.º DE PARTE	CANT.
1	ARANDELA, DE SEGURIDAD, PULGADA, REGULAR 5/16"	WR364	2
2	TANQUE DE AGUA CON CORREA STUD-VP3800W	R4436	1
3	SOPORTE DEL TANQUE DE AGUA-WP3800W-PC-AZUL	R4435	1
4	LÍNEA DE AGUA	R4437	1
5	TORNILLOS DE CABEZA HEXAGONAL, 3/8-16 UNC, 2 PULG. DE LARGO	WR265	4
6	TUERCA HEXAGONAL, NYLOCK, 3/8-16 UNC	WR263	4
7	ARANDELA, DE SEGURIDAD, PULG, USO EXTRA RUDO N.º 10	WR1165	3
8	TORNILLO DE CABEZA HEXAGONAL 5/16 - 18. UNC X 2.0"	WR1396	2
9	PLACA DE MONTAJE DEL TANQUE DE AGUA	R4364	2
10	BARRA DE AGUA	R4434	1
11	TORNILLO DE CABEZA REDONDA DE HEXÁGONO 10-24 X 1" DE LARGO, ZINCADO	WR1494	2
12	ARANDELA DE ASIENTO DE PLÁSTICO - PARA TUBO DE DIÁM. EXT. 1", PERNO DE 5/16"	WL899	2
13	PESTILLO DEL TANQUE DE AGUA-VP3800	WR1555	1
14	ARANDELA DE SELLO- 18-8 SS CON SELLO DE NEOPRENO	WR1497	2

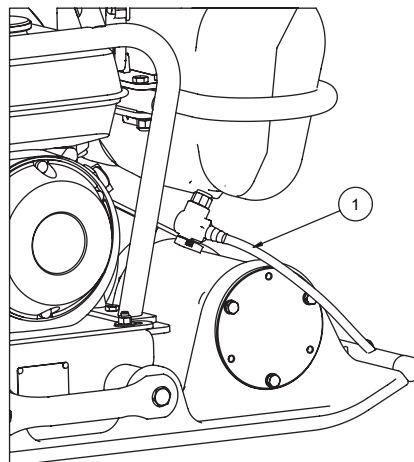
DESCRIPCIÓN DE LAS PIEZAS - TANQUE DE AGUA



EL KIT TANQUE DE AGUA EDI N.º 32363 INCLUYE:

N.º de REF	NOMBRE	N.º DE PARTE	CANT.
1	TANQUE DE AGUA CON CORREA STUD-VP3800W	WL887	1
2	LÍNEA DE AGUA	R4437	1
3	ARANDELA, DE SEGURIDAD, PULG, USO EXTRA RUDO N.º 10	WR1165	3
4	TORNILLO DE CABEZA REDONDA DE HEXÁGONO 10-24 X 1" DE LARGO, ZINCADO	WR1494	2
5	PESTILLO DEL TANQUE DE AGUA-VP3800	R4436	1

DESCRIPCIÓN DE LAS PIEZAS - LÍNEA DE AGUA



EL KIT DE LÍNEA DE AGUA EDI N.º 32364 INCLUYE:

N.º de REF	NOMBRE	N.º DE PARTE	CANT.
1	LÍNEA DE AGUA	R4437	1

OPCIÓN TANQUE DE AGUA - INSTRUCCIONES



Válvula del tanque de agua abierta

1. Llene el tanque de agua con agua limpia
2. Abra la válvula del tanque de agua cuando esté listo para escurrir el agua sobre la placa base
3. Cierre la válvula de agua cuando la placa compactadora esté parada o no esté en uso
4. La vibración de la placa compactadora ayudará a que el agua gotee y se disperse por la placa base.
5. No use agua en condiciones de congelación y siempre vacíe el tanque después de cada uso.

El tanque de agua se puede quitar para llenar en la fuente de agua. implemente retire el pestillo del tanque y tire de la línea de agua de la barra de agua. Reemplácelo cuando el tanque se vuelva a colocar en el soporte del tanque de agua

SOLUCIÓN DE PROBLEMAS

EL MOTOR NO ARRANCA:

1. Compruebe si hay suficiente combustible.
2. Revise el nivel de aceite. Los motores tienen una función de "Alerta de aceite", que les impide arrancar cuando el nivel de aceite es bajo.
3. ¿Se estranguló el motor al arrancar?
4. ¿Está ahogado el motor?
5. Revise la bujía. (Limpia y revise el espacio)
6. Si el motor aún no arranca, consulte el manual del propietario del motor o llévelo a un centro de servicio

LA MÁQUINA NO VIBRA

1. Verifique la tensión correcta de la correa (asegúrese de que la correa no esté demasiado floja)
2. Verifique el movimiento correcto del acelerador

EL MOTOR SE APAGA CONSTANTEMENTE

1. Verifique la tensión correcta de la correa (asegúrese de que la correa no esté demasiado apretada)
2. Verifique el cable del acelerador, asegurándose de que esté conectado correctamente al carburador



104 S. 8th Ave., Marshalltown, IA
Teléfono 800-888-0127 / 641-753-0127
Fax 800-477-6341 / 641-753-6341
www.MARSHALLTOWN.com
WS2732revB



COMPACTEUR À PLAQUE VIBRANTE

Réf. VP3800 | EDI 28693

Réf. VP3800W | EDI 29542



104 S. 8th Ave. | Marshalltown, IA
Téléphone 800-888-0127 / 641-753-0127 | Télécopieur 800-477-6341 / 641-753-6341
www.MARSHALLTOWN.com
WS2732revB

TABLE DES MATIÈRES

Introduction	2
Mesures de sécurité	3
Autocollants de sécurité	4
Garantie	4
Caractéristiques.....	5
Données techniques - Moteur.....	6
Pièces détachées suggérées.....	6
Composants principaux	7
Vérifications avant utilisation.....	8
Commandes et accessoires	9
Fonctionnement.....	10
Entretien.....	10-11
Nomenclature des pièces	12-25
Réservoir d'eau en option	26-29
Dépannage	30

INTRODUCTION

Félicitations pour votre achat d'un compacteur à plaque vibrante MARSHALLTOWN. MARSHALLTOWN est fière de produire des outils et équipements de construction professionnels de la meilleure qualité et a appliqué les mêmes principes de recherche, de conception et de production à ces compacteurs à plaque.

Ces puissantes machines sont conçues pour le compactage de matériaux de remblai granulaires et de l'asphalte. Le VP3800 est en tête de sa catégorie, tant pour sa force centrifuge et sa vitesse de fonctionnement. Avec 3 800 livres (16,9 kN) de force centrifuge, il permet de produire une base bien compactée tout en se déplaçant à plus de 100 pieds par minute (30 m/min).

Le VP3800W peut s'utiliser dans toutes les situations, mais son système d'eau est nécessaire pour empêcher le matériau de coller au dessous de la plaque lors de l'application ou la réfection d'un revêtement d'asphalte. Son réservoir d'eau peut être rempli directement sur la machine ou être est facile à retirer et à remettre en place pour le remplir sous un robinet d'eau.

Le compacteur à plaque MARSHALLTOWN comporte un timon repliable de conception unique qui se verrouille en position pour le transport et les déplacements sur le chantier. Une anse de levage intégrée au châssis permet de le saisir au moyen d'une sangle ou d'un chariot élévateur pour son placement sur le chantier.

Si cette machine a été construite en privilégiant la sécurité de l'utilisateur, elle peut toutefois présenter des dangers en cas d'utilisation ou d'entretien incorrects. Veiller à lire avec attention et à respecter toutes les consignes de sécurité et d'utilisation de ce manuel. S'assurer que chaque utilisateur a lu le manuel avant d'utiliser la machine. Le remplacement de toute pièce autrement que par des pièces de rechange agréées par le fabricant peut avoir un effet contraire sur le fonctionnement, la durabilité ou la sécurité du produit. Veiller à bien respecter les mesures de sécurité. Lire et respecter toutes les consignes de sécurité et d'utilisation figurant dans ce manuel de l'utilisateur. Le fabricant se réserve le droit de modifier ou d'améliorer le produit à tout moment sans préavis ni obligation. Le fabricant se réserve le droit de décider, à sa seule discrétion et à tout moment, d'abandonner ce produit. Pour toute information concernant le fonctionnement et l'entretien du moteur, se reporter au manuel du moteur fourni avec le compacteur à plaque vibrante. Le manuel du moteur fournit toutes l'information nécessaire concernant les réglages, le fonctionnement et l'entretien du moteur. Pour toute question relative au fonctionnement ou à l'entretien du moteur, s'adresser au centre de réparation de moteur le plus proche ou au fabricant du moteur. Ce manuel couvre tous les compacteurs à plaque vibrante MARSHALLTOWN et leurs options. Pour les questions techniques ou les pièces de rechange, appeler le service après-vente de MARSHALLTOWN au 1-800-888-0127 ou au 641-753-6341 ou visiter www.MARSHALLTOWN.com.

MESURES DE SÉCURITÉ



Les panonceaux AVERTISSEMENT sont placés à proximité de zones dangereuses particulières.



Les panonceaux ATTENTION comportent des mesures générales de précaution.



Ce symbole apparaît avant les mises en garde dans le texte. Il signifie que l'étape qui suit doit être effectuée pour écarter les risques de blessures corporelles ou de mort. Ces mises en garde ont pour objet d'aider le technicien à éviter les dangers potentiels rencontrés durant les procédures normales d'entretien. Nous conseillons vivement au lecteur de tenir compte de l'information fournie afin d'éviter les blessures personnelles ou à autrui.

LES MESURES DE PRÉCAUTION SUIVANTES SONT CONSEILLÉES POUR ÉVITER LES ACCIDENTS. LE MEILLEUR UTILISATEUR EST UN UTILISATEUR PRUDENT. LA MAJORITÉ DES ACCIDENTS PEUVENT ÊTRE ÉVITÉS EN OBSERVANT CERTAINES PRÉCAUTIONS. POUR ÉVITER LES ACCIDENTS, LIRE ET RESPECTER LES MESURES DE PRÉCAUTION SUIVANTES AVANT D'UTILISER CE MATÉRIEL. LE MATÉRIEL DOIT ÊTRE UTILISÉ UNIQUEMENT PAR DES PERSONNES RESPONSABLES ET FORMÉES À SON UTILISATION.

PROPOSITION 65 DE CALIFORNIE - AVERTISSEMENT : Le fonctionnement de cette machine et les gaz d'échappement de son moteur dégagent des substances que l'État de Californie a déclarées responsables de cancer, malformations congénitales et autres effets nocifs sur la reproduction.

- Lire toutes les instructions d'utilisation et d'entretien avant d'utiliser ou d'entretenir la machine.
- Cette machine est aussi sûre que son utilisateur seulement. Veiller à accorder toute son attention à l'utilisation de la machine.
- Toujours tenir les personnes inexpérimentées et non autorisées à l'écart de la machine.
- Savoir comment arrêter la machine instantanément.
- Faire un essai de tous les interrupteurs de sécurité avant chaque utilisation.
- Toujours avoir tous les carters de protection et mécanismes de sécurité en place et bien attachés avant d'utiliser la machine.



NE JAMAIS faire fonctionner le compacteur à plaque vibrante sans son protège-courroie en place.



NE JAMAIS lâcher le compacteur à plaque vibrante ou s'en éloigner alors qu'il est en marche.

- Toujours s'assurer que le moteur tourne à bas régime et n'est pas embrayé durant son préchauffage au ralenti.
- Toujours s'assurer que le moteur est à l'arrêt avec l'interrupteur en position Arrêt avant d'effectuer tout réglage ou de placer les mains ou des outils près du compacteur à plaque vibrante.
- Toujours s'assurer que le moteur est en position Arrêt durant l'entretien ou lorsqu'il n'est pas utilisé.
- Maintenir le compacteur à plaque vibrante en bon état. Les pièces desserrées ou endommagées sont dangereuses.
- Éviter les vêtements amples susceptibles d'être pris dans les pièces en mouvement.

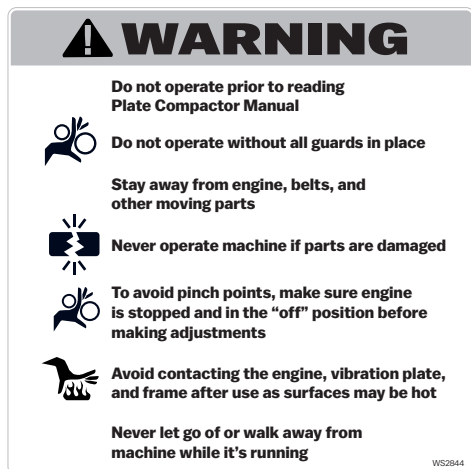


Tenir les mains et les pieds à l'écart des pièces en mouvement.

- Toujours laisser le compacteur à plaque vibrante refroidir suffisamment longtemps avant d'effectuer tout réglage.
- Ne pas fumer en faisant le plein de carburant du moteur. S'assurer que le moteur est en position Arrêt et le laisser refroidir avant de refaire le plein.
- Ne pas renverser de carburant.
- NE JAMAIS faire fonctionner le compacteur à plaque vibrante dans des endroits fermés sans aération suffisante.
- Maintenir toutes les étiquettes d'avertissement, de mise en garde et d'instructions de sécurité en bon état. Remplacer les étiquettes manquantes, endommagées ou illisibles.
- NE PAS UTILISER ce compacteur à plaque vibrante alors qu'on est sous l'emprise de l'alcool ou qu'on prend des médicaments qui altèrent les réflexes.
- Ne jamais s'asseoir sur le compacteur à plaque vibrante ni le chevaucher.
- Toujours bien sécuriser la machine avant de la transporter.
- Toujours respecter les calendriers d'entretien recommandés.
- Utiliser des pièces de rechange autorisées par l'usine.
- Ne jamais tenter de soulever soi-même la machine.
- Porter des lunettes de sécurité et une protection auditive durant l'utilisation du compacteur à plaque vibrante.
- Porter une tenue de protection adaptée durant l'utilisation du compacteur à plaque vibrante, notamment des yeux, des oreilles et des vêtements.
- Dégager la zone de travail autour du compacteur à plaque vibrante pour éviter de trébucher ou de tomber dessus.
- Ne pas utiliser le compacteur à plaque vibrante sur les fortes pentes.

AUTOCOLLANTS DE SÉCURITÉ

Si les autocollants de sécurité sont endommagés, ils peuvent être remplacés en s'adressant au service après-vente.



WS2844



WS2845

MARSHALLTOWN

WS2842

VP3800

WS2843

VP3800W

WS2853



WS2898

GARANTIE 3 ANS SUR LE COMPACTEUR À PLAQUE VIBRANTE

Ce produit est garanti à l'acheteur initial seulement contre les défauts de matériau et de fabrication dans des conditions normales d'utilisation et d'entretien, pendant une période de 3 ans à compter de la date d'achat, à l'exclusion du moteur. La garantie sur le moteur est limitée à la garantie offerte par le fabricant du moteur et toute réclamation au titre de la garantie concernant le moteur devra être adressée au fabricant du moteur. La seule obligation de MARSHALLTOWN Company en vertu de la présente garantie est limitée à l'échange ou à la réparation du produit ou des pièces couvertes sans frais, avec livraison franco bord aux tarifs de transport terrestre standard à partir de son usine désignée, s'il est établi suite à une inspection par MARSHALLTOWN Company que le produit présente un défaut de matériau ou de fabrication. La garantie de MARSHALLTOWN Company sur les pièces de rechange couvre la durée de la garantie du produit d'origine.

La présente garantie ne s'applique pas si le produit est endommagé ou devient inopérant suite à une utilisation abusive ou détournée, usure normale, négligence, entretien incorrect, accident ou dommages liés au transport; si le produit n'a pas été utilisé et entretenu conformément aux instructions figurant dans le manuel d'utilisation; ou si le produit a été altéré ou modifié sans l'autorisation du service après-vente de MARSHALLTOWN Company.

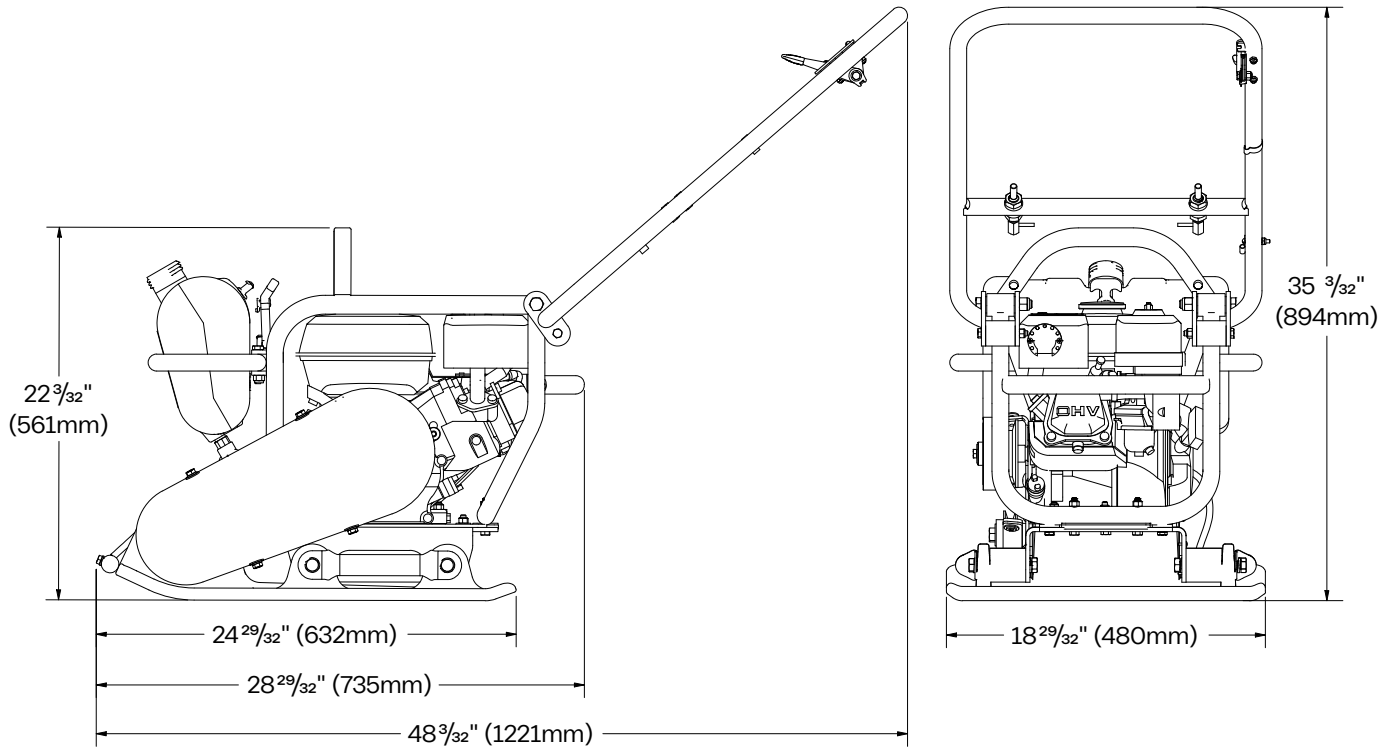
En aucun cas MARSHALLTOWN Company ne pourra être tenue responsable ou redevable de dommages-intérêts indirects, spéciaux ou punitifs, de l'enlèvement ou la livraison du produit, de frais d'expédition à destination du centre de service après-vente de MARSHALLTOWN Company, de frais de location d'une machine de rechange, d'un manque à gagner ou autres pertes résultant de l'incapacité du produit à fonctionner correctement en raison d'un défaut de matériau ou de fabrication couvert par la présente garantie.

Il n'est offert aucune garantie au-delà de ce qui est décrit aux présentes. Aucun employé ou agent de MARSHALLTOWN Company n'est habilité à modifier la présente garantie.

Pour soumettre une réclamation au titre de la garantie, communiquer avec le Service après-vente au 1-800-888-0127 afin d'obtenir une autorisation et des instructions de renvoi de la marchandise.

LES GARANTIES LIMITÉES QUI PRÉCÈDENT SONT EXCLUSIVES ET SONT OFFERTES ET ACCEPTÉES À LA PLACE DE TOUTE AUTRE GARANTIE EXPRESSE OU IMPLICITE, Y COMPRIS MAIS SANS S'Y LIMITER, LES GARANTIES IMPLICITES DE QUALITÉ MARCHANDE ET D'ADAPTATION À UN EMPLOI PARTICULIER, ET DE TOUTES LES AUTRES FORMES DE RÉPARATION. LA RESPONSABILITÉ TOTALE DE MARSHALLTOWN COMPANY DÉCOULANT DE LA FOURNITURE ET DE L'UTILISATION DU PRODUIT, QU'ELLE REPOSE SUR UNE RÉCLAMATION AU TITRE DE LA GARANTIE, UNE NÉGLIGENCE OU AUTRE, NE DEVRA PAS DÉPASSER LE COÛT PAYÉ PAR L'ACHETEUR POUR LE PRODUIT.

CARACTÉRISTIQUES



FORCE CENTRIFUGE	3802 LB (1725 KG)
FRÉQUENCE DE VIBRATION	5000 VIB/MIN (83 HZ)
VITESSE DE DÉPLACEMENT	110 PI/MIN (34 M/MIN)
DIMENSIONS DE LA PLAQUE (L X L)	23,7 PO X 18,9 PO (602 MM X 480 MM)
SURFACE MAX. DE COMPACTAGE	9,733 PI ² /H (904 M ² /H)
POIDS DE FONCTIONNEMENT	202 LB (92 KG)
CAPACITÉ DU RÉSERVOIR D'EAU	2 GAL (7,6 L)
HUILE DANS LE CARTER DE VIBRATEUR	14,5 OZ (429 CC), 100 % SYNTHÉTIQUE 10W-30

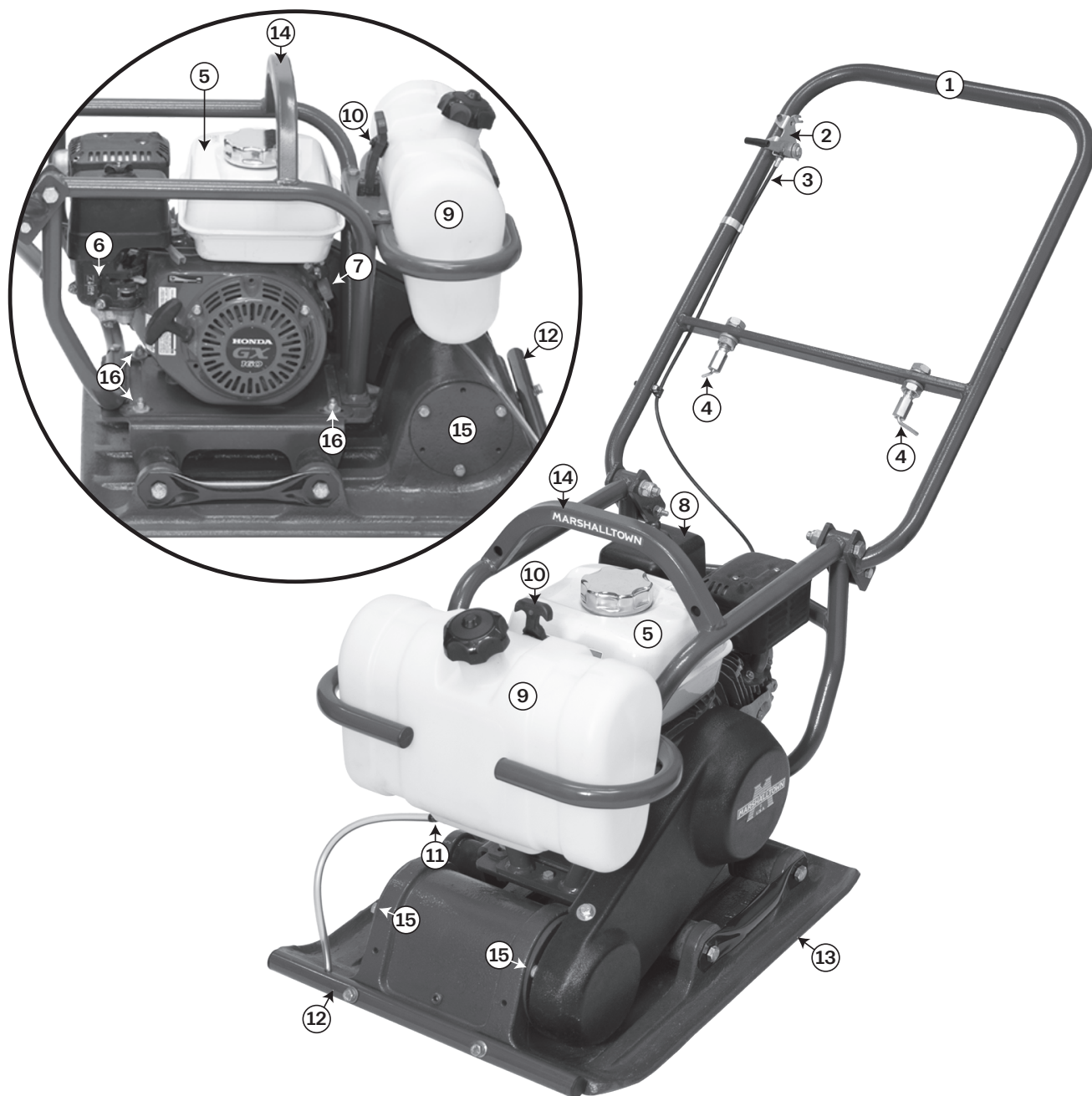
DONNÉES TECHNIQUES - MOTEUR

HONDA	GX160
POIDS, LB (KG)	33
CYLINDRÉE, CC	163
CAPACITÉ D'HUILE, PTE É.-U. (L)	0,61
CAPACITÉ CARBURANT, PTE É.-U. (L)	0,82
CARBURANT	OCTANE 86 OU PLUS
RÉGIME DE RALENTI, TR/MIN	1400
RÉGIME MAXIMAL, TR/MIN	3800
BOUGIE D'ALLUMAGE	BPR6ES (NGK)
ÉCART DE LA BOUGIE	0,7 à 0,8 mm
HUILE MOTEUR	SAE 10W30
HUILE DE VIBRATEUR	14,5 OZ (429 CC), 100 % SYNTHÉTIQUE 10W-30

PIÈCES DÉTACHÉES SUGGÉRÉES

EDI	DÉSIGNATION
32359	COURROIE TRAPÉZOÏDALE, AX31 TRI-POWER
32351	TROUSSE LEVIER/CÂBLE COMMANDE DES GAZ
32353	TROUSSE TIMON DE GUIDAGE
32354	TROUSSE LOQUET RÉTRACTABLE DE TIMON
32355	TROUSSE DOUILLE/CONNECTEUR DE TIMON
32356	TROUSSE ANTIVIBRATION
32358	TROUSSE POIGNÉES DE LEVAGE
32360	TROUSSE POULIE MENÉE
32361	TROUSSE EMBRAYAGE
32357	TROUSSE PROTÈGE-COURROIE
32352	CLIPS DE COMMANDE DES GAZ
32362	TROUSSE RÉSERVOIR D'EAU
32363	RÉSERVOIR D'EAU
32364	CONDUITE D'EAU
32365	CHAPEAU (FERMÉ)
32366	CHAPEAU (OUVERT)

COMPOSANTS PRINCIPAUX



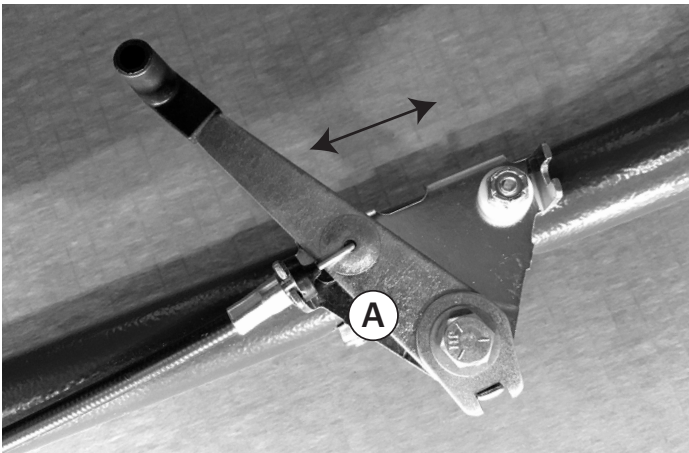
REP.	DÉSIGNATION	REP.	DÉSIGNATION
1	TIMON	9	RÉSERVOIR D'EAU (le cas échéant)
2	LEVIER DE COMMANDE DES GAZ	10	SANGLE DE RÉSERVOIR D'EAU (le cas échéant)
3	CÂBLE DE COMMANDE DES GAZ	11	ROBINET D'EAU (le cas échéant)
4	LOQUETS DE TIMON	12	RAMPE D'ARROSAGE (le cas échéant)
5	RÉSERVOIR D'ESSENCE	13	SEMELLE
6	ROBINET DE CARBURANT ET VOLET DE DÉPART	14	ANSE DE LEVAGE
7	INTERRUPTEUR MARCHÉ/ARRÊT	15	LOGEMENT DE PALIER
8	FILTRE À AIR	16	ÉCROUS DE FIXATION DU MOTEUR

VÉRIFICATIONS AVANT UTILISATION

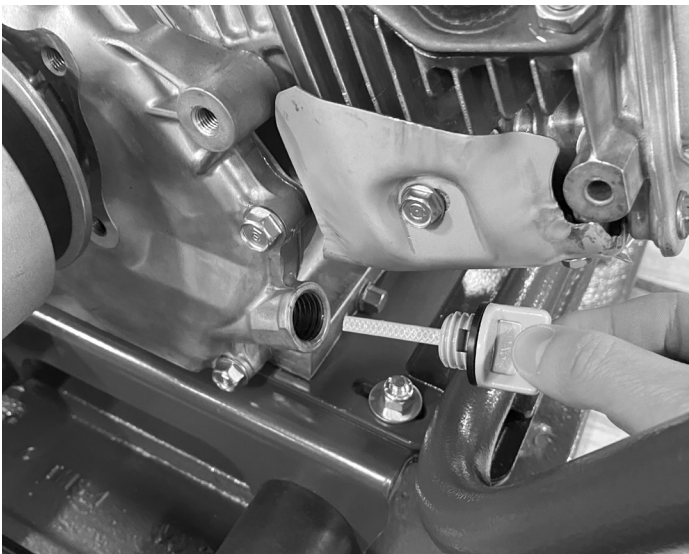
Une fois le compacteur à plaque vibrante retiré de sa palette et de son emballage, il ne nécessite aucun assemblage.

L'opérateur doit se familiariser avec l'emplacement et le fonctionnement de toutes les commandes. Dans un endroit sécuritaire et bien aéré, procéder comme suit :

1. Vérifier que toute la visserie est présente et bien serrée sur la machine. Communiquer avec le service après-vente MARSHALLTOWN au 800-888-0127 s'il manque des pièces.
2. Contrôler le filtre à carburant et le filtre à air.
3. Le compacteur à plaque vibrante est fourni avec le plein d'huile dans le vibrateur, il n'est donc pas nécessaire de vérifier le niveau d'huile. Voir les intervalles de changement de l'huile à la section Entretien (page 11).



4. L'ensemble câble et levier de commande des gaz est attaché au timon (A) et raccordé au carburateur (B). Actionner le levier de commande des gaz et observer le mouvement sur le carburateur pour vérifier le bon fonctionnement.

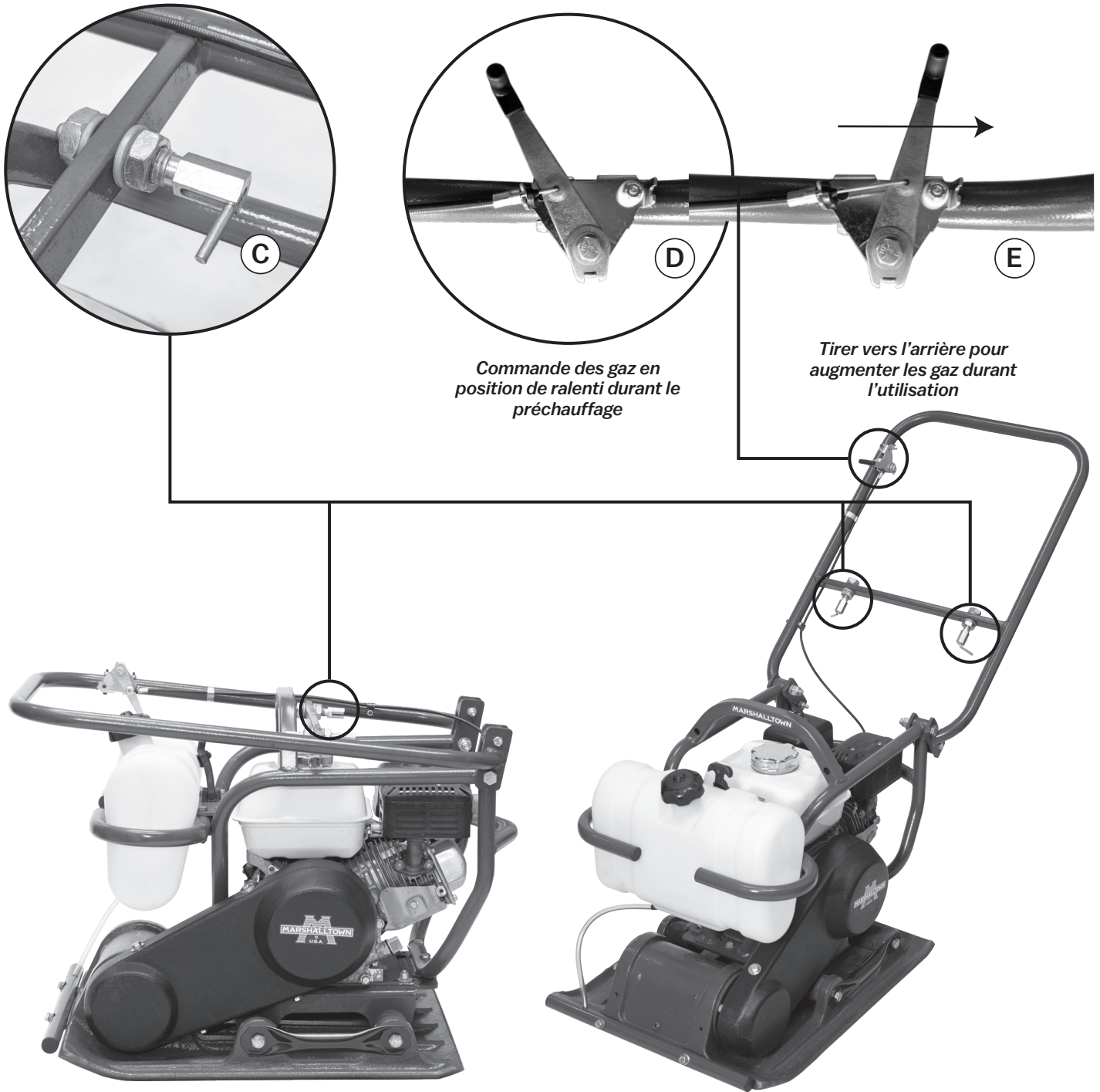


5. Le compacteur à plaque vibrante est livré avec le plein d'huile moteur, mais vérifier le niveau avant de démarrer.



6. Pour vérifier la bonne la tension de la courroie, pincer les deux côtés de la courroie d'une pression modérée. Un déplacement d'environ 1 po (2,5 cm) indique une tension correcte. Desserrer la plaque de fixation du moteur pour ajuster à la tension de la courroie. Resserrer.

COMMANDES ET ACCESSOIRES



Loquet de timon (C) – Le timon peut être verrouillé en position repliée pour le transport et l'entreposage. Toujours remettre le timon en position de conduite durant l'utilisation.

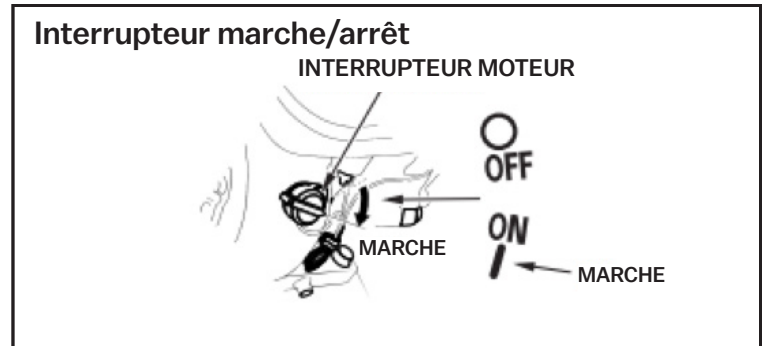
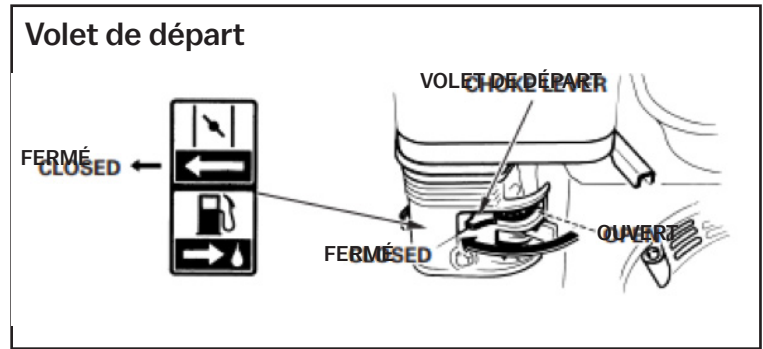
Levier de commande des gaz – Pour démarrer le compacteur, pousser le levier de commande des gaz vers l'avant de la machine (D). Le laisser dans cette position de ralenti durant le préchauffage.

Tirer le levier de commande des gaz vers l'arrière (E) de la machine pour engager l'embrayage et utiliser le compacteur.

FONCTIONNEMENT

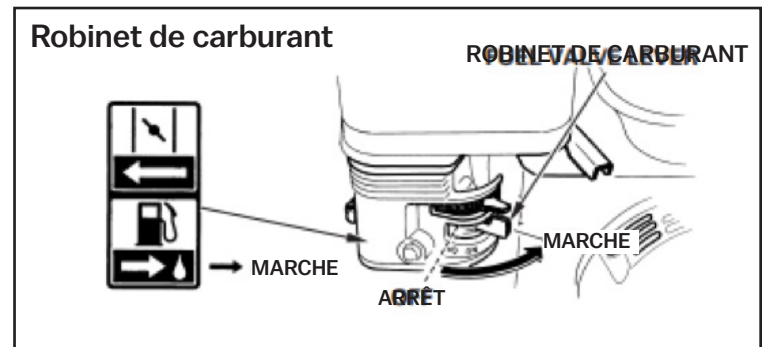
DÉMARRER LE MOTEUR

1. Si le moteur est froid, mettre le volet de départ en position FERMÉ. Pour redémarrer un moteur chaud, laisser le volet de départ OUVERT.
2. Mettre l'interrupteur marche/arrêt en position Marche.
3. Ouvrir le robinet de carburant.
4. Tirer lentement la poignée du lanceur jusqu'à sentir une résistance, puis tirer vivement. Répéter jusqu'à ce que le moteur démarre.
5. Si le volet de départ a été mis en position FERMÉ pour démarrer le moteur, le ramener progressivement en position OUVERT à mesure que le moteur chauffe.



REDÉMARRER LE MOTEUR

1. Laisser le volet de départ en position OUVERT.
2. Mettre l'interrupteur marche/arrêt en position Marche.
3. Ouvrir le robinet de carburant.
4. Tirer lentement la poignée du lanceur jusqu'à sentir une résistance, puis tirer vivement. Répéter jusqu'à ce que le moteur démarre.



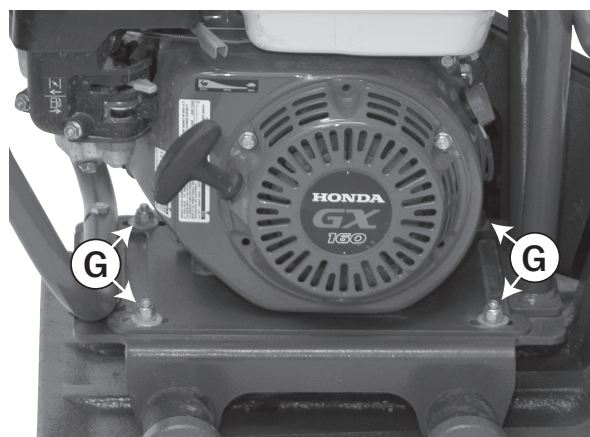
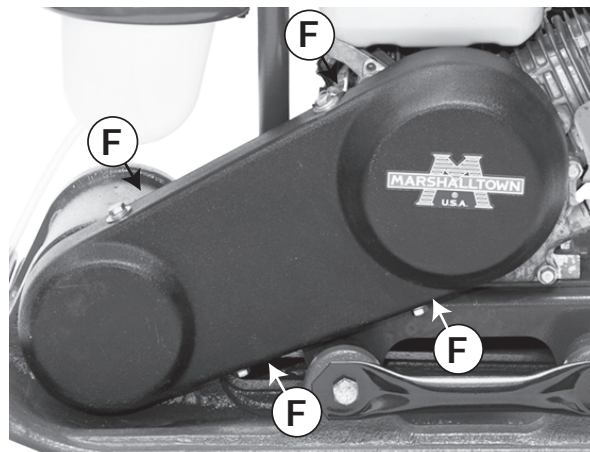
ENTRETIEN

CONTRÔLER LE NIVEAU D'HUILE	AVANT CHAQUE UTILISATION
CHANGER L'HUILE MOTEUR	PREMIER MOIS OU 10 H - 6 MOIS OU 50 H ENSUITE
CHANGER L'HUILE DE VIBRATEUR	TOUTES LES 200 H OU TOUS LES 3 ANS
CONTRÔLER LE NIVEAU DE CARBURANT	AVANT CHAQUE UTILISATION
CONTRÔLER LE FILTRE À AIR	AVANT CHAQUE UTILISATION
CONTRÔLER LA COURROIE	TOUTES LES 25 H OU TOUS LES 3 MOIS
CHANGER LA COURROIE	SELON LE BESOIN
CONTRÔLER LA COMMANDE DES GAZ	AVANT CHAQUE UTILISATION
CHANGER LE FILTRE À AIR	TOUTES LES 25 H OU TOUS LES 3 MOIS
BOUGIE D'ALLUMAGE - CONTRÔLER ET RÉGLER	TOUTES LES 100 H OU TOUS LES 1 AN
CHANGER LA BOUGIE D'ALLUMAGE	TOUTES LES 300 H OU TOUS LES 2 ANS
CONTRÔLER LES VIS ET ÉCROUS	AVANT CHAQUE UTILISATION

ENTRETIEN

CHANGER LA COURROIE

1. Retirer les 4 vis à tête hexagonale (F) de fixation du protège-lame.
2. Desserrer les 4 écrous (G) de la plaque de fixation du moteur.
3. Glisser le moteur et sa plaque de fixation vers l'avant pour pouvoir dégager la courroie.
4. Monter la courroie neuve.
5. Tirer la plaque de fixation UNIFORMÉMENT vers l'arrière pour tendre la courroie sur les poulies. Une flexion d'environ 1 po (2,5 cm) de la courroie est acceptable.
6. Serrer les écrous de la plaque de fixation.
7. Remonter le protège-courroie.



CHANGER L'HUILE DE VIBRATEUR

1. Pour changer l'huile du vibrateur, retirer le bouchon de vidange situé en bas à droite du carter de vibrateur (H) et incliner simplement le compacteur pour vider l'huile. On notera que l'huile s'écoule plus facilement lorsqu'elle est chaude. Veiller à utiliser uniquement de l'huile moteur synthétique 10W30 dans le vibrateur.

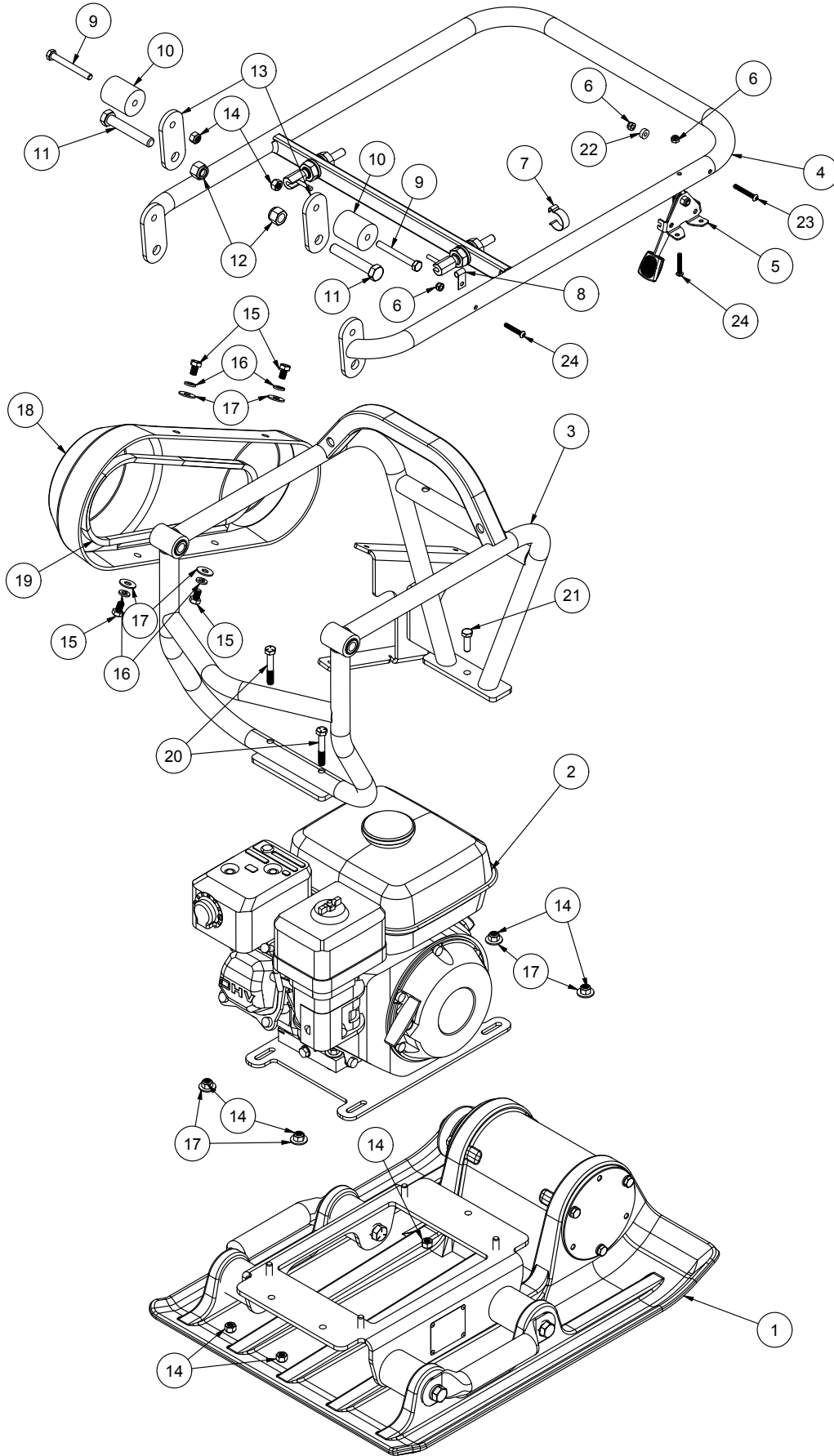


ENTREPOSAGE DU COMPACTEUR

Avant d'entreposer le compacteur à plaque vibrante pendant plus de 30 jours, procéder comme suit :

1. Vidanger complètement le réservoir de carburant ou ajouter du STA-BIL au carburant.
2. Faire tourner le moteur jusqu'à ce que tout le carburant soit consommé.
3. Vidanger complètement l'huile du carter moteur et suivre les instructions du manuel de l'utilisateur HONDA concernant l'entreposage du moteur.
4. Vidanger complètement le liquide hydraulique du carter de vibration du compacteur.
5. Nettoyer entièrement le compacteur à plaque vibrante, en particulier la semelle, pour éliminer toutes les saletés et matières étrangères.
6. Couvrir le compacteur et le moteur d'une bâche en plastique ou équivalent et l'entreposer dans un endroit propre et sec.

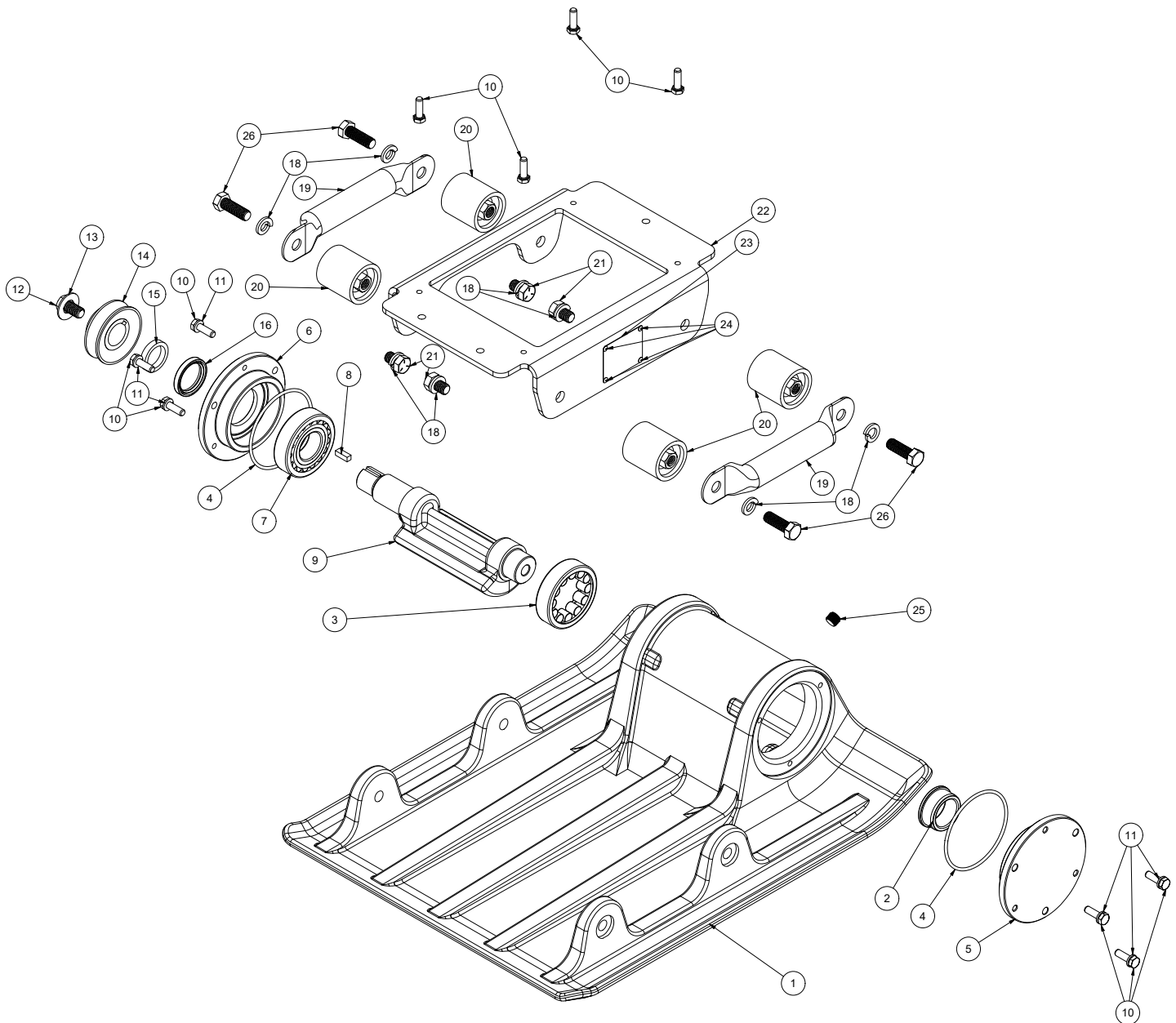
LISTE DES PIÈCES - VP3800



LISTE DES PIÈCES - VP3800

REP.	DÉSIGNATION	RÉF. PIÈCE	QTÉ
1	ENSEMBLE SEMELLE	R3929	1
2	BLOC MOTEUR RÉGLABLE	R3932	1
3	ENSEMBLE CHÂSSIS	R3933	1
4	ENSEMBLE TIMON	R3934	1
5	LEVIER DE COMMANDE DES GAZ, TYPE FRICTION AVEC CÂBLE	WX2623	1
6	ÉCROU-FREIN NYLOK, 10-24	WR370	3
7	CLIP DE SERRAGE SIMPLE CONDUIT	WR1468	1
8	CLIP À ENFILER	WR1469	1
9	VIS À TÊTE HEXA , 5/16-18 UNC, LONG. 2,75 PO	WR1502	2
10	BUTOIR DE TIMON	R5875	2
11	VIS À TÊTE HEXA , 1/2-13 UNC, LONG. 3 PO	WR1459	2
12	ÉCROU-FREIN NYLON, 1/2-13	WR1133	2
13	PLAQUETTE DE FIXATION DE TIMON	WX2817	2
14	ÉCROU-FREIN NYLOK, 5/16-18	WR118	9
15	VIS À TÊTE HEXA 5/16 PO-18 X LONG. 1/2 PO	WR1458	4
16	RONDELLE-FREIN 5/16 PO, ORDINAIRE	WR364	4
17	RONDELLE PLATE 5/16 PO	WR236	8
18	PROTÈGE-COURROIE	WL712	1
19	COURROIE TRAPÉZOÏDALE SECTION A, AX-31 TRI-POWER	WK227	1
20	VIS À TÊTE HEXA , 5/16-18 UNC, LONG. 2 PO	WR1396	2
21	VIS À TÊTE HEXA , 5/16-18 UNC, LONG. 1 PO	WR1007	1
22	RONDELLE D'ESPACEMENT NYLON - D.E. 1/2 PO X LONG. 3/16 PO, TAILLE DE VIS N° 10	WL898	1
23	VIS À TÊTE RONDE, 10-24 PO X LONG. 1,5 PO	WR1495	1
24	VIS À TÊTE RONDE, 10-24 PO X LONG. 1,25 PO	WR1498	2

LISTE DES PIÈCES - SEMELLE

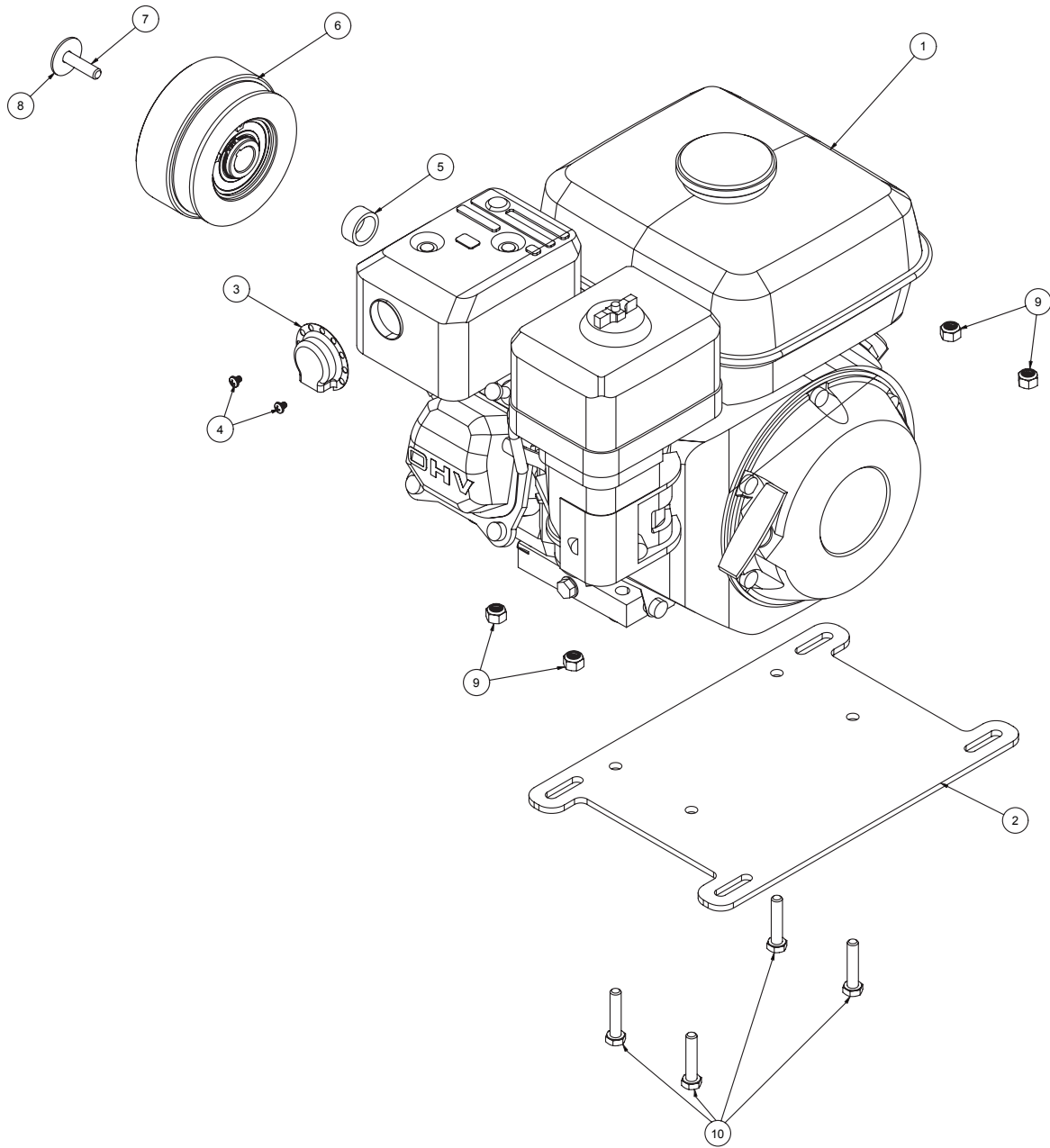


REP.	DÉSIGNATION	RÉF. PIÈCE	QTÉ
1	SEMELLE, USINÉE	R4515	1
2	ROULEMENT À ROULEAUX CYLINDRIQUES (CHEMIN INTÉRIEUR)	WX2461-IR	1
3	ROULEMENT À ROULEAUX CYLINDRIQUES (CHEMIN EXTÉRIEUR)	WX2461	1
4	JOINT TORIQUE BUNA N, DASH 240	WK224	2
5	CHAPEAU, USINÉ (FERMÉ)	R4424-010	1
6	CHAPEAU, USINÉ (OUVERT)	R4423-010	1
7	ROULEMENT À ROULEAUX SPHÉRIQUES	WX2460	1
8	CLAVETTE USINÉE EN ACIER 0,25 X 0,25 X 0,75	WR1417	1
9	ARBRE DE VIBRATEUR, USINÉ	R4438	1
10	VIS TÊTE HEXA 5/16-18 X 1	WR1007	10

LISTE DES PIÈCES - SEMELLE (SUITE)

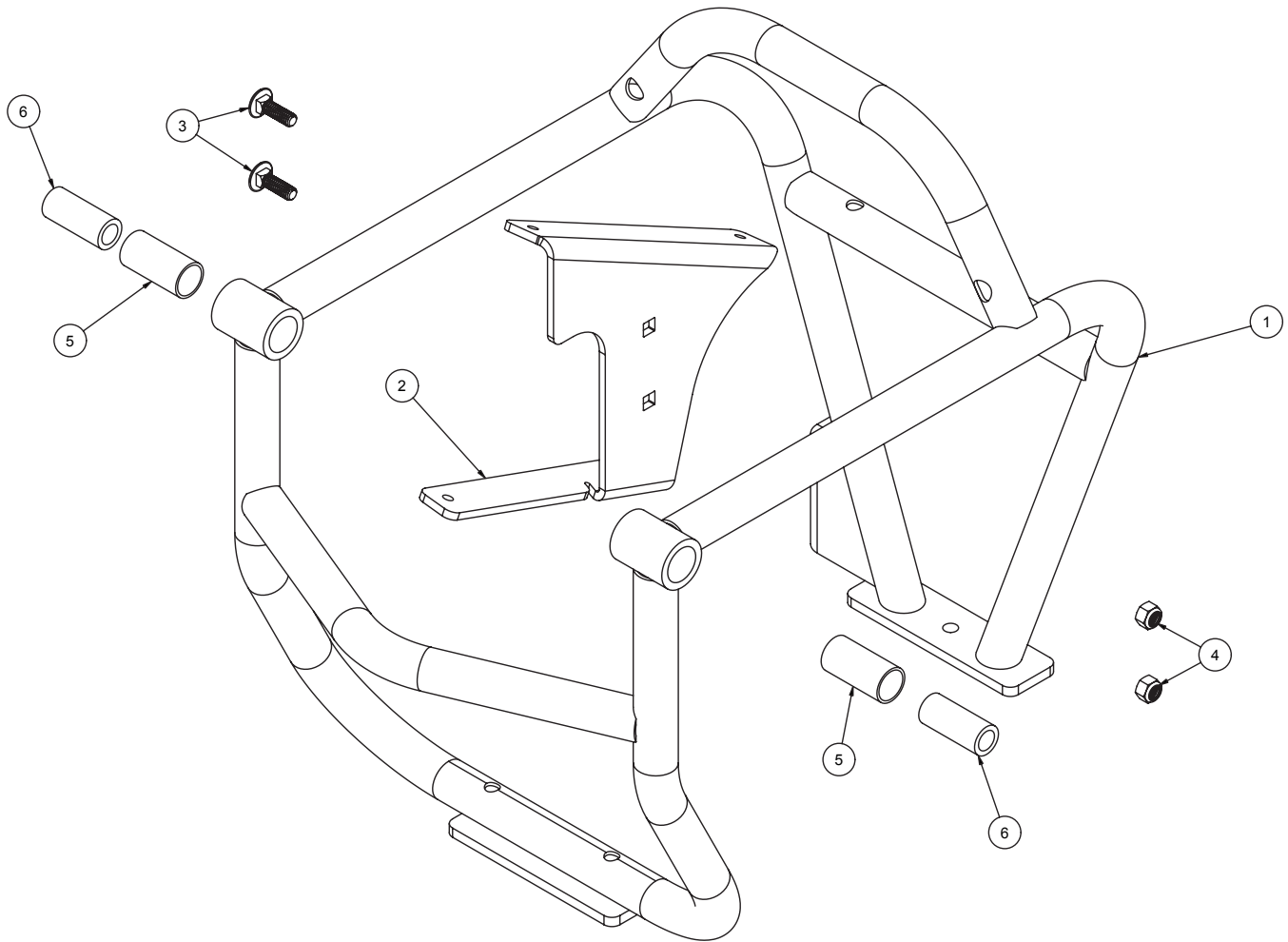
REP.	DÉSIGNATION	RÉF. PIÈCE	QTÉ
11	RONDELLES-FREINS ÉLASTIQUES HÉLICOÏDALES ORDINAIRES (SÉRIE POUCE)	WR364	6
12	VIS HHCS 1/2-13 UNC X 0,875 PO	WR1398	1
13	RONDELLE - 1/2 PO ZINGUÉE	WR411	1
14	POULIE EN FONTE	WB125	1
15	BAGUE D'ESPACEMENT ACIER 0,280 PO DE LONG - VP3800	R4524	1
16	JOINT D'ARBRE RADIAL	WX2463	1
18	RONDELLE-FREIN FENDUE, 1/2 PO ZINGUÉE	WR256	8
19	POIGNÉE INFÉRIEURE	R4516	2
20	SUPPORT AMORTISSEUR DE VIBRATIONS	WK222	4
21	VIS HHCS 1/2-13 UNC X 0,75 PO	WR1455	4
22	PLATEAU D'ISOLEMENT DU MOTEUR	R4517	1
23	PLAQUE DE NUMÉRO DE MODÈLE/SÉRIE	WS229	1
24	RIVET AVEUGLE 1/8 PO	WR1462	4
25	BOUCHON DE TUYAU NPT	WR1405	1
26	VIS HCS 1/2-13 X 1-1/2 Z5	WR1018	4

LISTE DES PIÈCES - BLOC MOTEUR RÉGLABLE



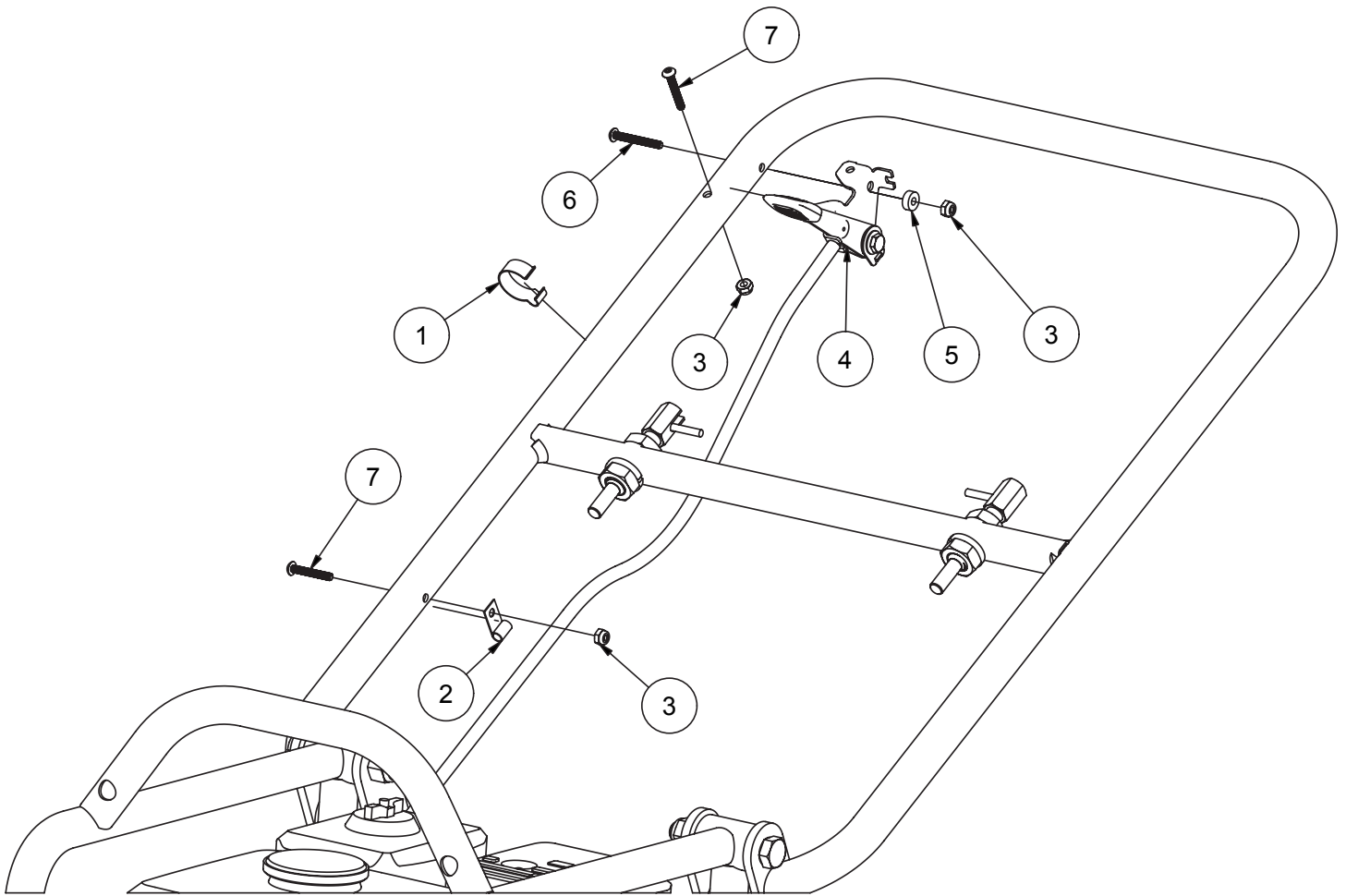
REP.	DÉSIGNATION	RÉF. PIÈCE	QTÉ
1	MOTEUR, HONDA GX160	WX2301	1
2	PLAQUE DE FIXATION DU MOTEUR, RÉGLABLE	R4518	1
3	DÉFLECTEUR D'ÉCHAPPEMENT HONDA GX160	WX2465	1
4	VIS TÊTE CYLINDRIQUE M4 X 5 MM	WR1507	2
5	BAGUE D'ESPACEMENT ACIER 0,425 PO DE LONG - CP3800	R4535	1
6	EMBRAYAGE	WX2528	1
7	VIS HHCS 5/16-24 UNF, 1,25 PO DE LONG	WR1419	1
8	RONDELLE, ANSI B LARGE 5/16 PO	WR1418	1
9	ÉCROU-FREIN NYLOK, 5/16-18	WR118	4
10	VIS HHCS 5/16-18 UNC, 1,5 PO DE LONG	WR1008	4

LISTE DES PIÈCES - CHÂSSIS



REP.	DÉSIGNATION	RÉF. PIÈCE	QTÉ
1	ARMATURE	R4519	1
2	PLAQUE SUPPORT DE PROTÈGE-COURROIE	R4520	1
3	BOULON DE CARROSSERIE À COLLET CARRÉ, ACIER ZINGUÉ	WR1404	2
4	ÉCROU-FREIN NYLOK, 5/16-18	WR118	2
5	PALIER LISSE FONCTIONNANT À SEC, FAIBLE CHARGE	R4521	2
6	PALIER LISSE AUTOLUBRIFIANT	WX2563	2

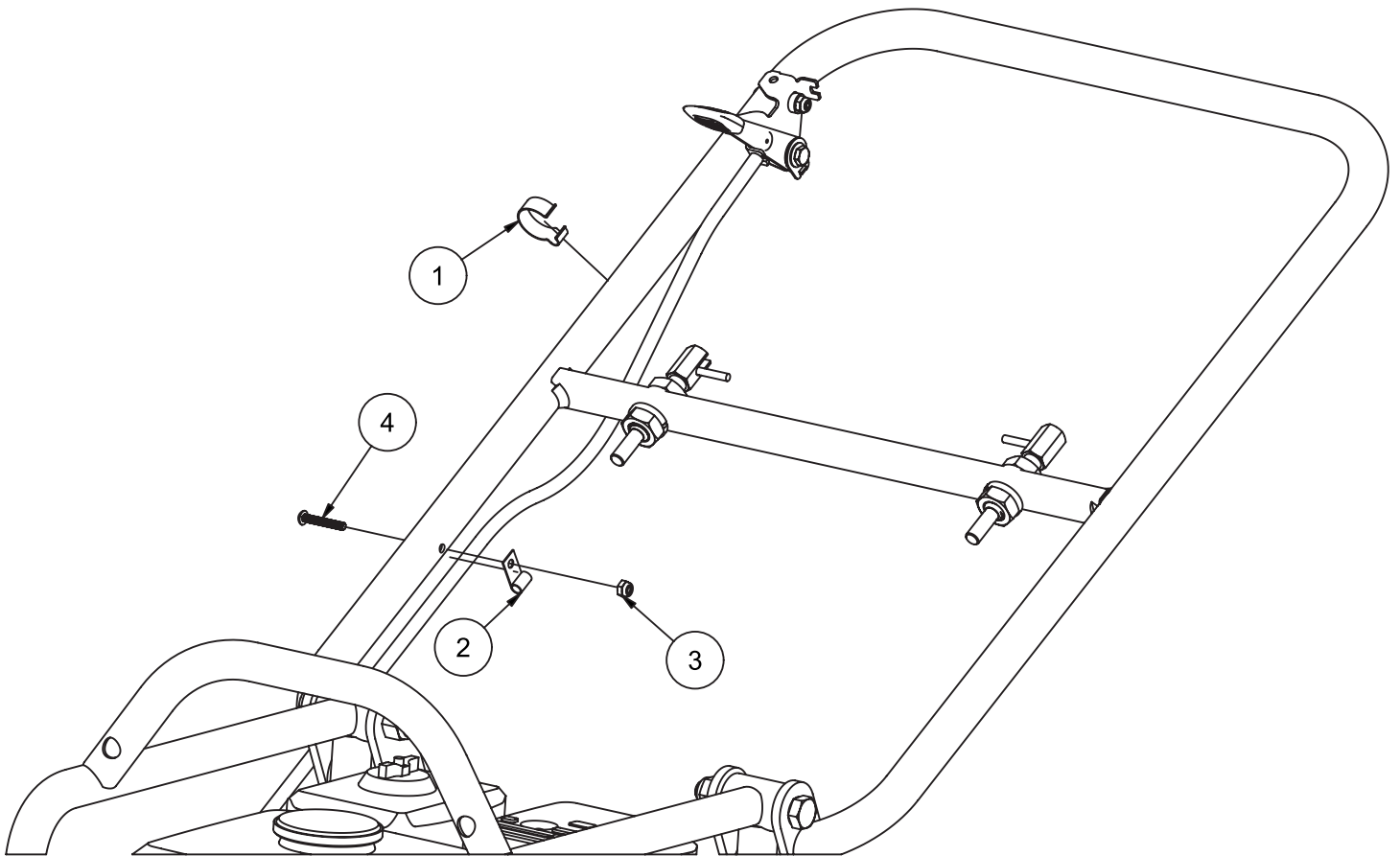
LISTE DES PIÈCES - LEVIER/CÂBLE DE COMMANDE DES GAZ



TROUSSE LEVIER/CÂBLE DE COMMANDE DES GAZ EDI 32351 :

REP.	DESCRIPTION	RÉF. PIÈCE	QTÉ
1	CLIP DE SERRAGE SIMPLE CONDUIT	WR1468	1
2	CLIP À ENFILER	WR1469	1
3	ÉCROU NYLON 10-24, TYPE TOP-LOCK	WR370	3
4	LEVIER DE COMMANDE DES GAZ, TYPE FRICTION AVEC CÂBLE	WX2623	1
5	RONDELLE D'ESPACEMENT NYLON - D.E. 1/2 PO X LONG. 3/16 PO, TAILLE DE VIS N° 10	WL898	1
6	VIS À TÊTE RONDE, 10-24 PO X LONG. 1,5 PO	WR1495	1
7	VIS À TÊTE RONDE, 10-24 PO X LONG. 1,25 PO	WR1498	2

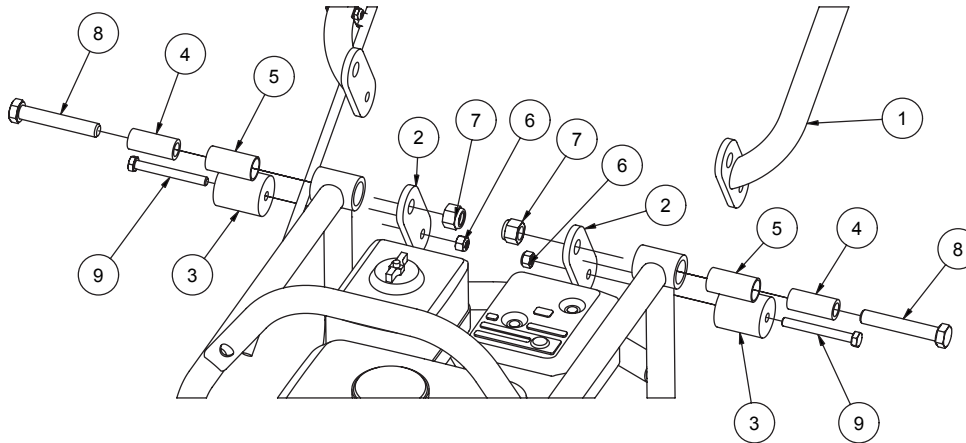
LISTE DES PIÈCES - CLIPS DE COMMANDE DES GAZ



TROUSSE CLIPS DE COMMANDE DES GAZ EDI 32352 :

REP.	DESCRIPTION	RÉF. PIÈCE	QUANTITÉ
1	CLIP DE SERRAGE SIMPLE CONDUIT	WR1468	1
2	CLIP À ENFILER	WR1469	1
3	ÉCROU NYLOK 10-24, TYPE TOP-LOCK	WR370	1
4	VIS À TÊTE RONDE, 10-24 PO X LONG. 1,25 PO	WR1498	1

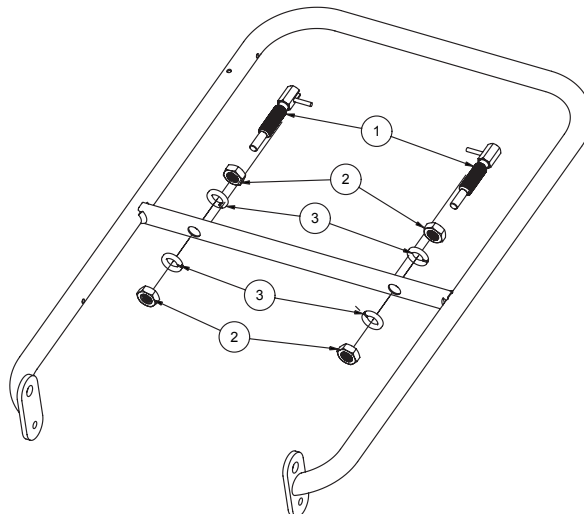
LISTE DES PIÈCES - TIMON



TROUSSE EMBRAYAGE EDI 32353 :

REP.	DÉSIGNATION	RÉF. PIÈCE	QTÉ
1	GUIDON, VP3800-PC BLEU - LC	R4543	1
2	PLAQUETTE DE FIXATION DE GUIDON, VP3800-PC BLEU	R4523	2
3	BUTOIR DE GUIDON, VP3800	R5875	2
4	PALIER LISSE AUTOLUBRIFIANT	WX2563	2
5	PALIER LISSE FONCTIONNANT À SEC, FAIBLE CHARGE - VP3800	R4521	2
6	ÉCROU-FREIN NYLOK, 5/16-18	WR118	2
7	ÉCROU-FREIN NYLOK, 1/2-13	WR1133	2
8	VIS À TÊTE HEXA , 1/2-13 UNC, LONG. 3 PO	WR1459	2
9	VIS À TÊTE HEXA , 5/16-18 UNC, LONG. 2,75 PO	WR1502	2

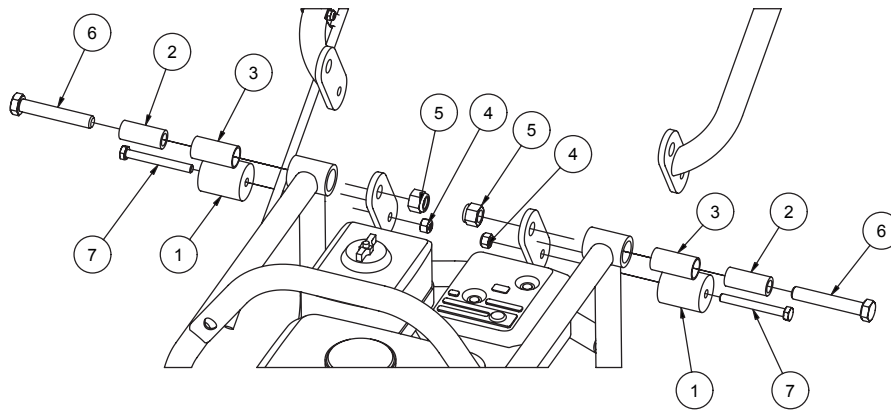
LISTE DES PIÈCES - GOUPILLES DE TIMON



TROUSSE GOUPILLES DE TIMON EDI 32354 :

REP.	DÉSIGNATION	RÉF. PIÈCE	QTÉ
1	GOUPILLE RÉTRACTABLE À RESSORT AVEC POIGNÉE EN L	WX2423	2
2	ÉCROU-FREIN HEXA 5/8-11 UNC	WR1402	4
3	RONDELLE FREIN, POUCE, ORDINAIRE 5/8 PO	WR1420	4

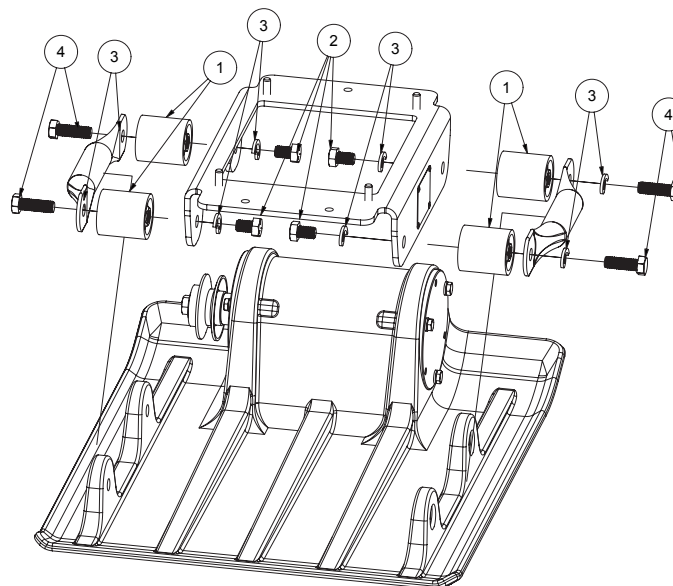
LISTE DES PIÈCES - DOUILLES



TROUSSE DOUILLES EDI 32355 :

REP.	DÉSIGNATION	RÉF. PIÈCE	QTÉ
1	BUTOIR DE GUIDON, VP3800	R5875	2
2	PALIER LISSE AUTOLUBRIFIANT	WX2563	2
3	PALIER LISSE FONCTIONNANT À SEC, FAIBLE CHARGE - VP3800	R4521	2
4	ÉCROU-FREIN NYLOK, 5/16-18	WR118	2
5	ÉCROU-FREIN NYLOK, 1/2-13	WR1133	2
6	VIS À TÊTE HEXA, 1/2-13 UNC, LONG. 3 PO	WR1459	2
7	VIS À TÊTE HEXA, 5/16-18 UNC, LONG. 2,75 PO	WR1502	2

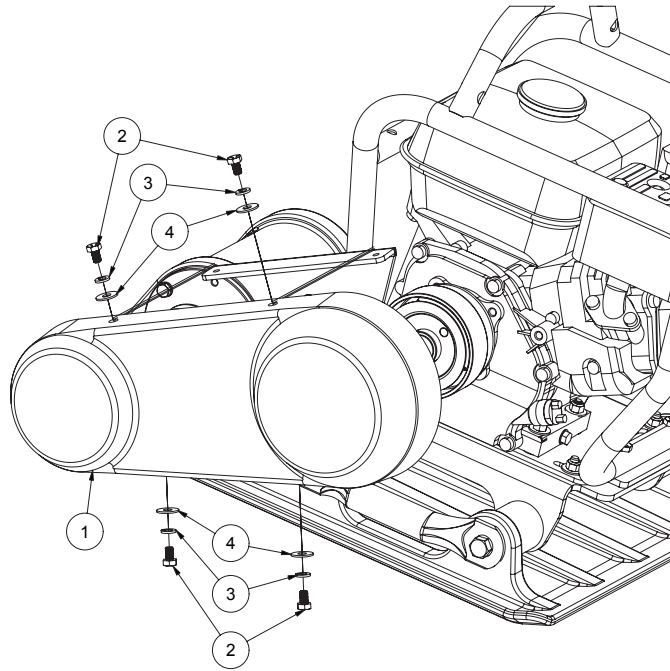
LISTE DES PIÈCES - SUPPORTS ANTI-VIBRATIONS



TROUSSE ANTIVIBRATION EDI 32356 :

REP.	DÉSIGNATION	RÉF. PIÈCE	QTÉ
1	SUPPORT AMORTISSEUR DE VIBRATIONS	WK222	4
2	VIS HHCS 1/2-13 UNC X 0,75 PO	WR1455	4
3	RONDELLE-FREIN FENDUE, 1/2 PO ZINGUÉE	WR256	8
4	VIS HCS 1/2-13 X 1-1/2 Z5	WR1018	4

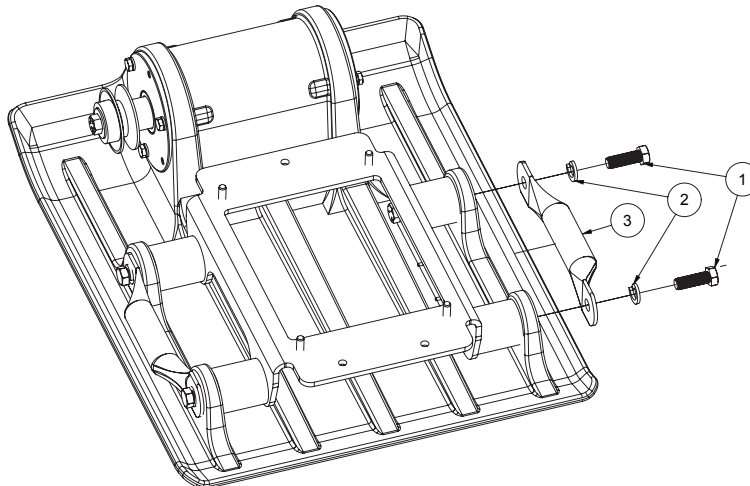
LISTE DES PIÈCES - PROTÈGE-COURROIE



TROUSSE PROTÈGE-COURROIE EDI 32357 :

REP.	DÉSIGNATION	RÉF. PIÈCE	QTÉ
1	VIS HHCS 5/16-18 X 1/2 PO DE LONG, ZINGUÉE	WR1458	4
2	RONDELLE-FREIN FENDUE 5/16, ZINGUÉE	WR364	4
3	RONDELLE PLATE 5/16 PO USS ZINGUÉE	WR236	4
4	PROTÈGE-COURROIE	WL712	1

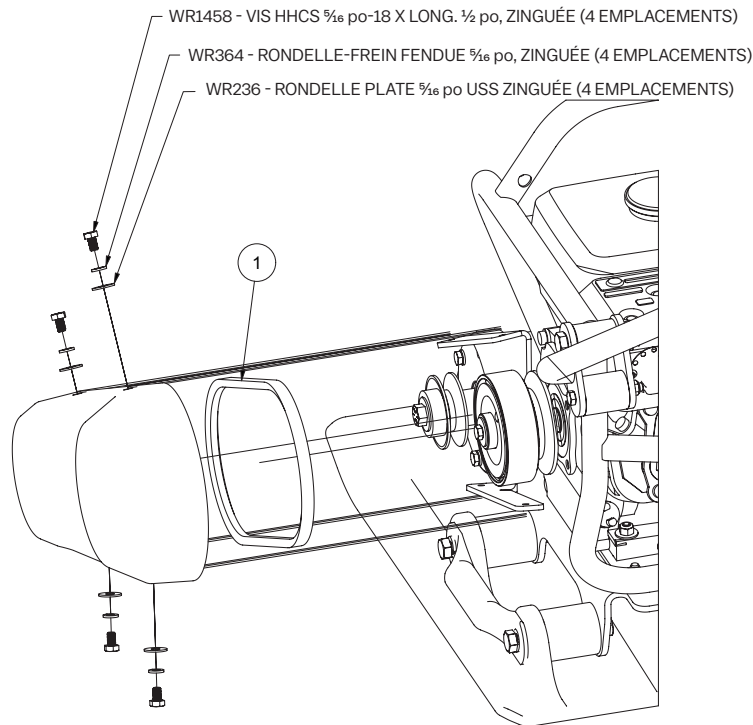
LISTE DES PIÈCES - TROUSSE POIGNÉES DE LEVAGE



TROUSSE POIGNÉES DE LEVAGE EDI 32358 :

REP.	DÉSIGNATION	RÉF. PIÈCE	QTÉ
1	VIS HCS 1/2-13 X 1-1/2 Z5	WR1018	2
2	RONDELLE-FREIN FENDUE, 1/2 PO ZINGUÉE	WR256	2
3	POIGNÉE, CÔTÉ LEVAGE	R4516	1

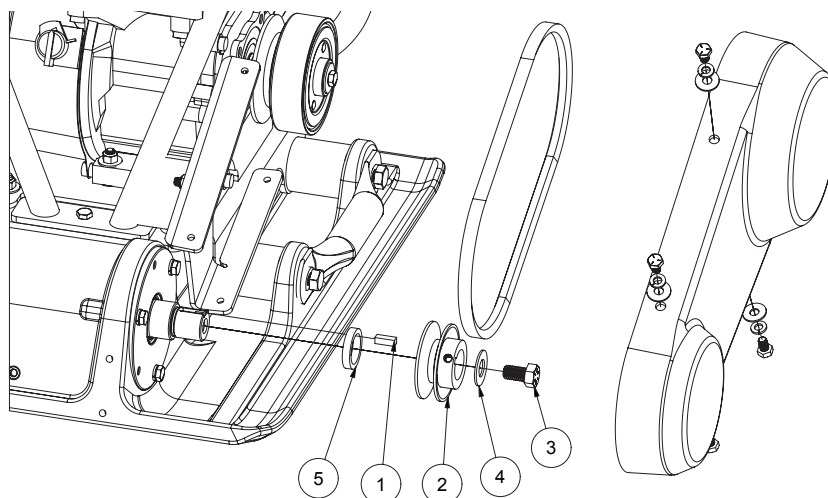
LISTE DES PIÈCES - TROUSSE COURROIE



TROUSSE COURROIE EDI 32359 :

REP.	DÉSIGNATION	RÉF. PIÈCE	QTÉ
1	COURROIE TRAPÉZOÏDALE SECTION A, AX31 TRI-POWER	WK227	1

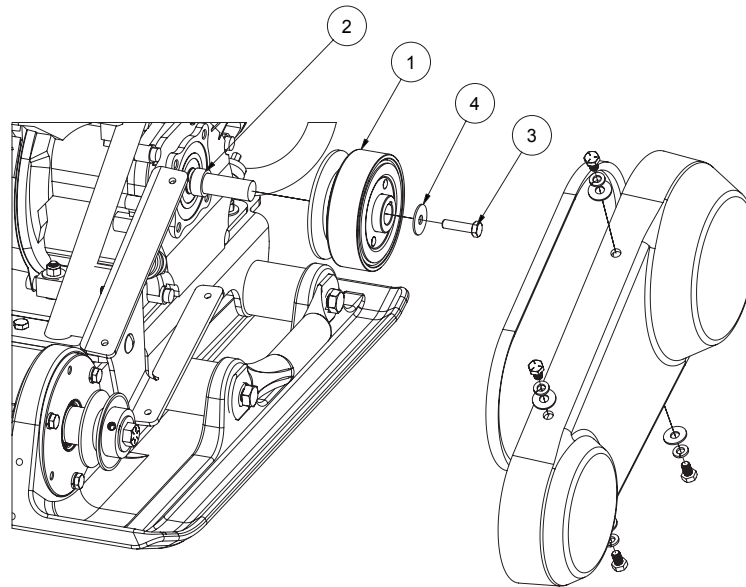
LISTE DES PIÈCES - POULIE MENÉE



TROUSSE POULIE MENÉE EDI 32360 :

REP.	DÉSIGNATION	RÉF. PIÈCE	QTÉ
1	CLAVETTE USINÉE EN ACIER 0,25 X 0,25 X 0,75	WR1417	1
2	POULIE EN FONTE	WB125	1
3	VIS HHCS 1/2-13 UNC X 0,875 PO	WR1398	1
4	RONDELLE 1/2 PO ZINGUÉE	WR411	1
5	BAGUE D'ESPACEMENT ACIER LONG. 0,280 PO, VP3800	R4524	1

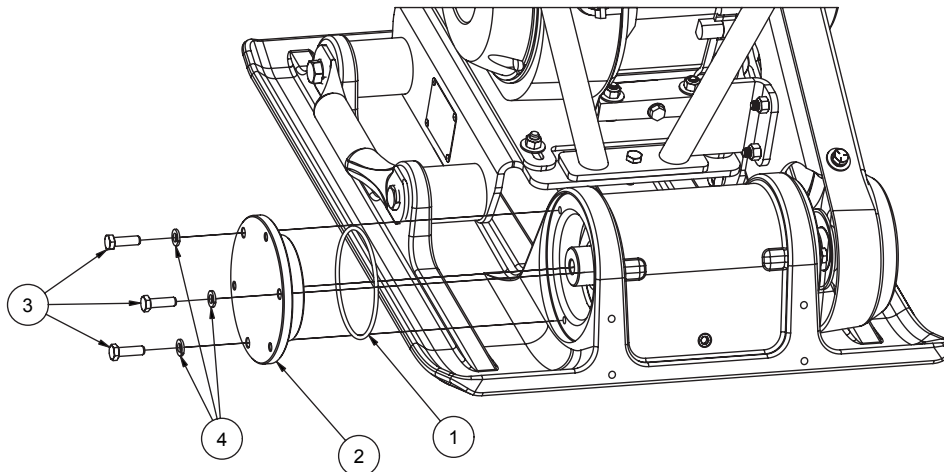
LISTE DES PIÈCES - EMBRAYAGE



TROUSSE EMBRAYAGE EDI 32361 :

REP.	DÉSIGNATION	RÉF. PIÈCE	QTÉ
1	EMBRAYAGE	WX2528	1
2	BAGUE D'ESPACEMENT ACIER LONG. 0,425 PO, VP3800	WX2996	1
3	VIS HHCS 5/16-24 UNF, 1,25 PO DE LONG	WR1419	1
4	RONDELLE, ANSI B LARGE 5/16 PO	WR1418	1

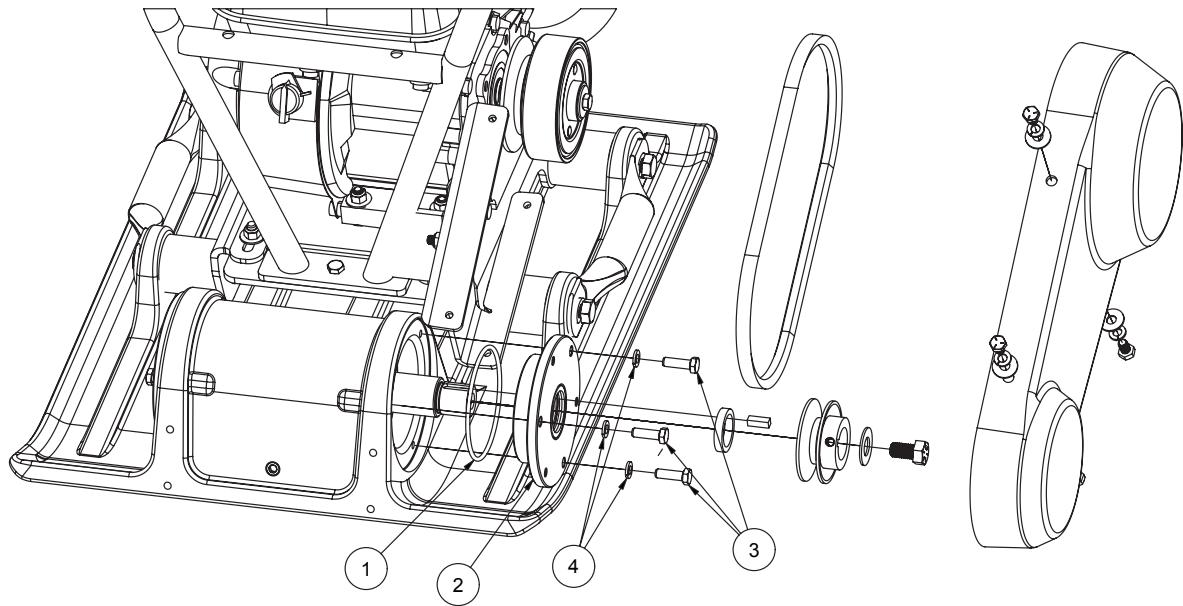
LISTE DES PIÈCES - CHAPEAU (FERMÉ)



TROUSSE CHAPEAU (FERMÉ) EDI 32365 :

REP.	DÉSIGNATION	RÉF. PIÈCE	QTÉ
1	JOINT TORIQUE BUNA N, DASH 240	WK224	1
2	CHAPEAU FERMÉ - VP3800	R4124	1
3	VIS TÊTE HEXA 5/16 PO-18 X 1 PO	WR1007	3
4	RONDELLES-FREINS ÉLASTIQUES HÉLICOÏDALES ORDINAIRES (SÉRIE POUCE)	WR364	3

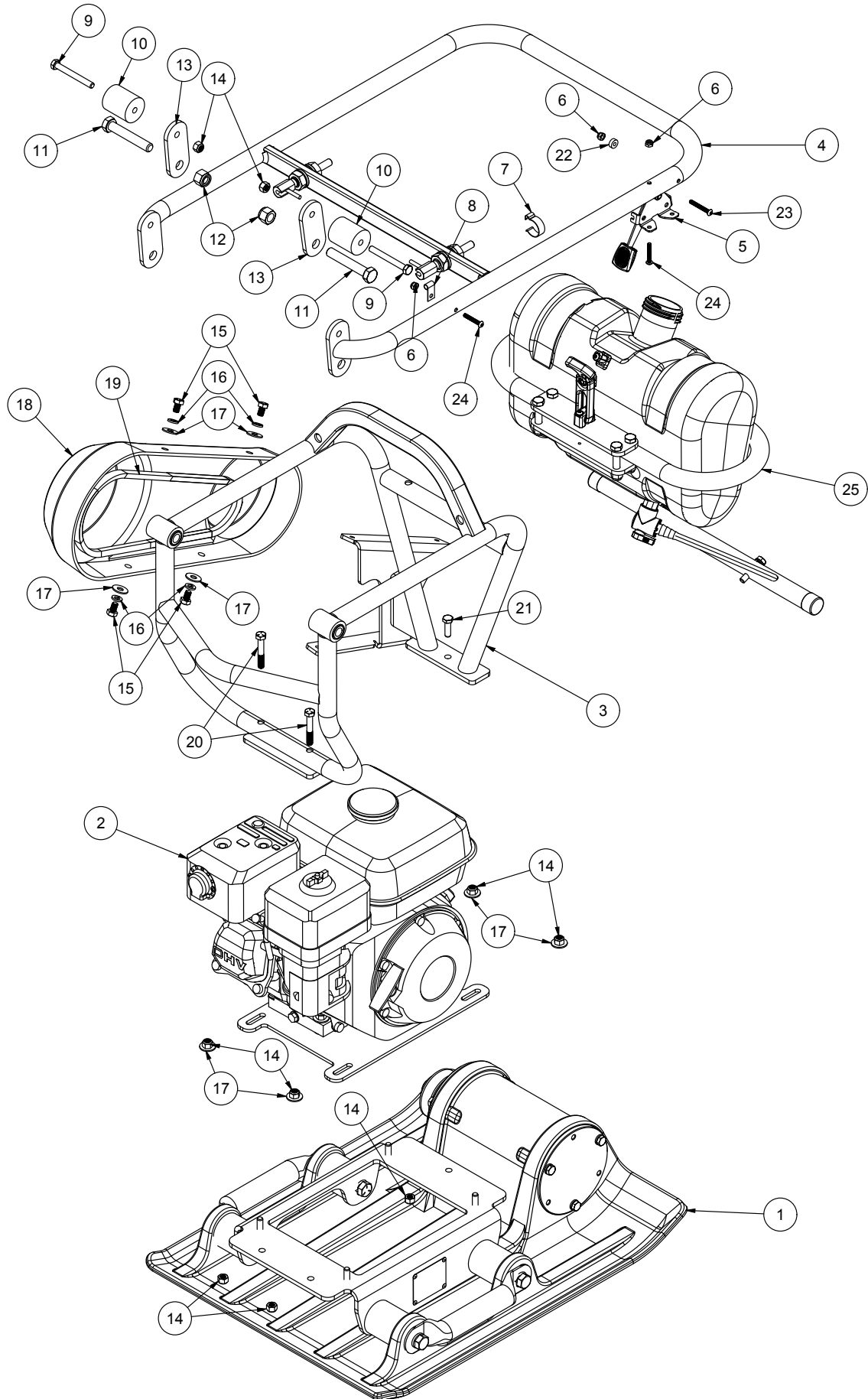
LISTE DES PIÈCES - CHAPEAU (OUVERT)



TROUSSE CHAPEAU (OUVERT) EDI 32366 :

REP.	DÉSIGNATION	RÉF. PIÈCE	QTÉ
1	JOINT TORIQUE BUNA N, DASH 240	WK224	1
2	CHAPEAU OUVERT - VP3800	R4123	1
3	VIS TÊTE HEXA 5/16-18 X 1	WR1007	3
4	RONDELLES-FREINS ÉLASTIQUES HÉLICOÏDALES ORDINAIRES (SÉRIE POUCE)	WR364	3

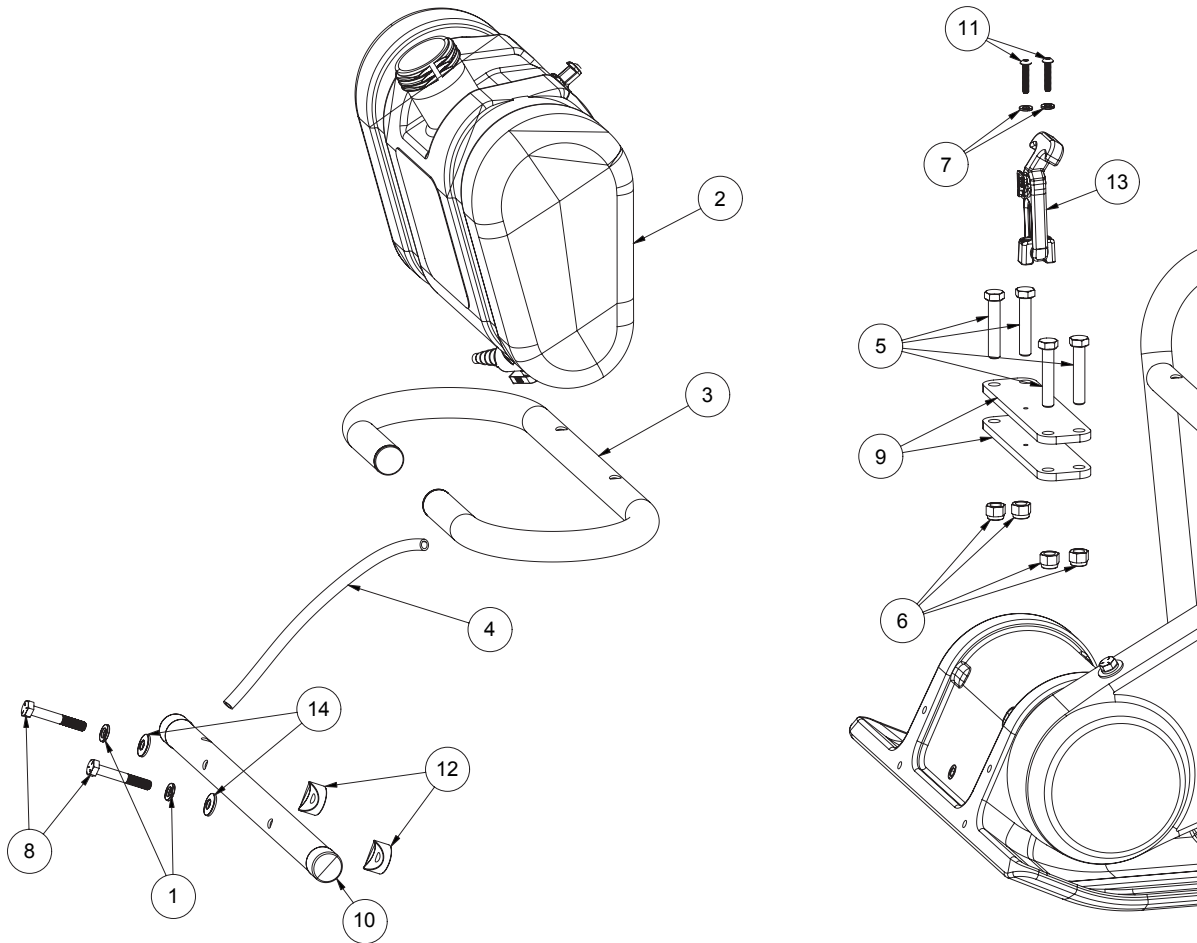
LISTE DES PIÈCES - VP3800W



LISTE DES PIÈCES - VP3800W

REP.	DÉSIGNATION	RÉF. PIÈCE	QTÉ
1	ENSEMBLE SEMELLE	R3929	1
2	BLOC MOTEUR RÉGLABLE	R3932	1
3	ENSEMBLE CHÂSSIS	R3933	1
4	ENSEMBLE TIMON	R3934	1
5	LEVIER DE COMMANDE DES GAZ, TYPE FRICTION AVEC CÂBLE	WX2623	1
6	ÉCROU-FREIN NYLOK, 10-24	WR370	3
7	CLIP DE SERRAGE SIMPLE CONDUIT	WR1468	1
8	CLIP À ENFILER	WR1469	1
9	VIS À TÊTE HEXA , 5/16-18 UNC, LONG. 2,75 PO	WR1502	2
10	BUTOIR DE TIMON	R4575	2
11	VIS À TÊTE HEXA , 1/2-13 UNC, LONG. 3 PO	WR1459	2
12	ÉCROU-FREIN NYLON, 1/2-13	WR1133	2
13	PLAQUETTE DE FIXATION DE TIMON	WX2817	2
14	ÉCROU-FREIN NYLOK, 5/16-18	WR118	9
15	VIS À TÊTE HEXA 5/16 PO-18 X LONG. 1/2 PO	WR1458	4
16	RONDELLE-FREIN 5/16 PO, ORDINAIRE	WR364	4
17	RONDELLE PLATE 5/16 PO	WR236	8
18	PROTÈGE-COURROIE	WL712	1
19	COURROIE TRAPÉZOÏDALE SECTION A, AX-31 TRI-POWER	WK227	1
20	VIS À TÊTE HEXA , 5/16-18 UNC, LONG. 2 PO	WR1396	2
21	VIS À TÊTE HEXA , 5/16-18 UNC, LONG. 1 PO	WR1007	1
22	RONDELLE D'ESPACEMENT NYLON - D.E. 1/2 PO X LONG. 3/16 PO, TAILLE DE VIS N° 10	WL898	1
23	VIS À TÊTE RONDE, 10-24 PO X LONG. 1,5 PO	WR1495	1
24	VIS À TÊTE RONDE, 10-24 PO X LONG. 1,25 PO	WR1498	2
25	RÉSERVOIR D'EAU EN OPTION	29543	1

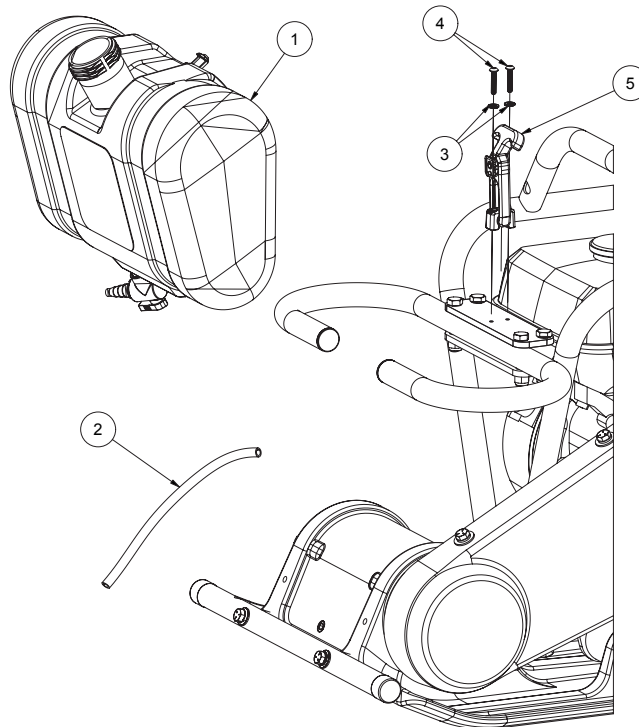
LISTE DES PIÈCES - TROUSSE RÉSERVOIR D'EAU



TROUSSE RÉSERVOIR D'EAU EDI 32362 :

REP.	DÉSIGNATION	RÉF. PIÈCE	QTÉ
1	RONDELLE-FREIN, POUCE, ORDINAIRE 5/16 PO	WR364	2
2	RÉSERVOIR D'EAU À ERGOT DE SANGLE - VP3800W	R4436	1
3	SUPPORT DE RÉSERVOIR D'EAU - VP3800W-PC BLEU	R4435	1
4	CONDUITE D'EAU	R4437	1
5	VIS HHCS 3/8-16 UNC, 2 PO DE LONG	WR265	4
6	ÉCROU HEXA NYLOCK, 3/8-16 UNC	WR263	4
7	RONDELLE-FREIN, POUCE, RENFORCÉE N° 10	WR1165	3
8	VIS À TÊTE HEXA 5/16-18. UNC X 2,0 PO	WR1396	2
9	PLAQUE DE FIXATION DE RÉSERVOIR D'EAU	R4364	2
10	RAMPE D'ARROSAGE	R4434	1
11	VIS BHCS 10-24 X LONG. 1 PO, ZINGUÉE	WR1494	2
12	RONDELLE COURBE EN PLASTIQUE - POUR TUBE DE D.E. 1 PO, VIS DE 5/16 PO	WL899	2
13	LOQUET SOUPLE POUR RÉSERVOIR D'EAU - VP3800	WR1555	1
14	RONDELLE D'ÉTANCHÉITÉ - 18-8 SS À JOINT NÉOPRÈNE	WR1497	2

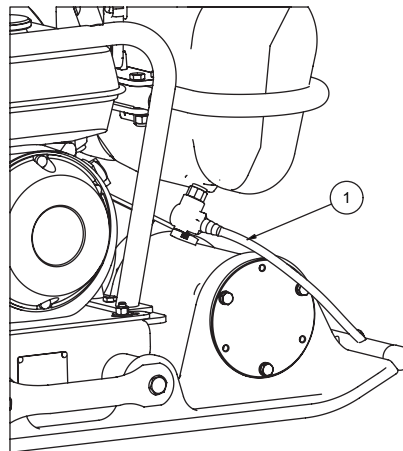
LISTE DES PIÈCES - RÉSERVOIR D'EAU



TROUSSE RÉSERVOIR D'EAU EDI 32363 :

REP.	DÉSIGNATION	RÉF. PIÈCE	QTÉ
1	RÉSERVOIR D'EAU À ERGOT DE SANGLE - VP3800W	WL887	1
2	CONDUITE D'EAU	R4437	1
3	RONDELLE-FREIN, POUCE, RENFORCÉE N° 10	WR1165	3
4	VIS BHCS 10-24 X LONG. 1 PO, ZINGUÉE	WR1494	2
5	LOQUET SOUPLE POUR RÉSERVOIR D'EAU - VP3800	R4436	1

LISTE DES PIÈCES - CONDUITE D'EAU



TROUSSE CONDUITE D'EAU EDI 32364 :

REP.	DÉSIGNATION	RÉF. PIÈCE	QTÉ
1	CONDUITE D'EAU	R4437	1

RÉSERVOIR D'EAU EN OPTION - MODE D'EMPLOI



Robinet de réservoir d'eau ouvert

1. Remplir le réservoir avec de l'eau propre
2. Ouvrir le robinet du réservoir d'eau lorsqu'on est prêt à faire goutter l'eau sous la semelle
3. Fermer le robinet d'eau lorsque le compacteur à plaque vibrante est arrêté ou qu'il n'est pas utilisé
4. Les vibrations du compacteur aident l'eau à s'égoutter et à se disperser sur toute la largeur de la semelle
5. Ne pas utiliser de l'eau lorsqu'il gèle et toujours vider le réservoir après chaque utilisation

Le réservoir d'eau peut être enlevé pour le remplir sous un robinet d'eau. Il suffit de détacher le loquet du réservoir et de sortir la conduite d'eau de la rampe d'arrosage. Les rattacher une fois que le réservoir est remis en place dans son support

DÉPANNAGE

LE MOTEUR NE DÉMARRE PAS :

1. Vérifier qu'il y a suffisamment de carburant.
2. Contrôler le niveau d'huile. Le moteur a une fonction « alerte d'huile », qui l'empêche de démarrer si le niveau d'huile est bas.
3. Le volet de départ a-t-il été utilisé au démarrage?
4. Moteur noyé?
5. Contrôler la bougie (nettoyer et contrôler l'écartement).
6. Si le moteur ne démarre toujours pas, consulter le manuel de l'utilisateur du moteur ou l'apporter à un centre de réparation agréé

LA MACHINE NE VIBRE PAS

1. Vérifier la tension de la courroie (s'assurer qu'elle n'est pas trop détendue)
2. Vérifier le bon actionnement de la commande des gaz

MOTEUR NE CESSE DE CALER

1. Vérifier la tension de la courroie (s'assurer qu'elle n'est pas trop tendue)
2. Contrôler le câble de commande des gaz, vérifier qu'il est bien raccordé au carburateur



104 S. 8th Ave., Marshalltown, IA
Téléphone 800-888-0127 / 641-753-0127
Télécopie 800-477-6341 / 641-753-6341
www.MARSHALLTOWN.com
WS2732revB